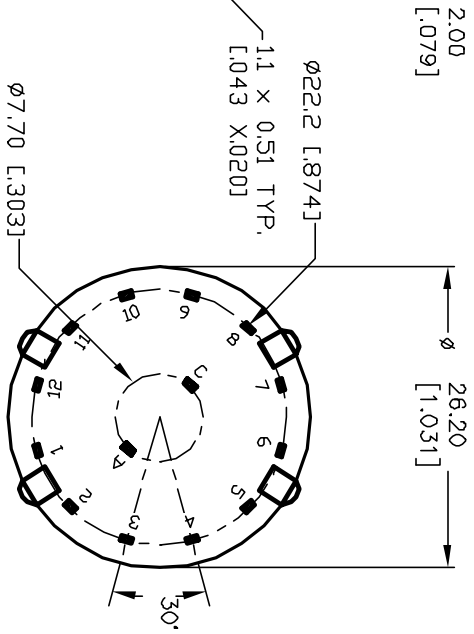
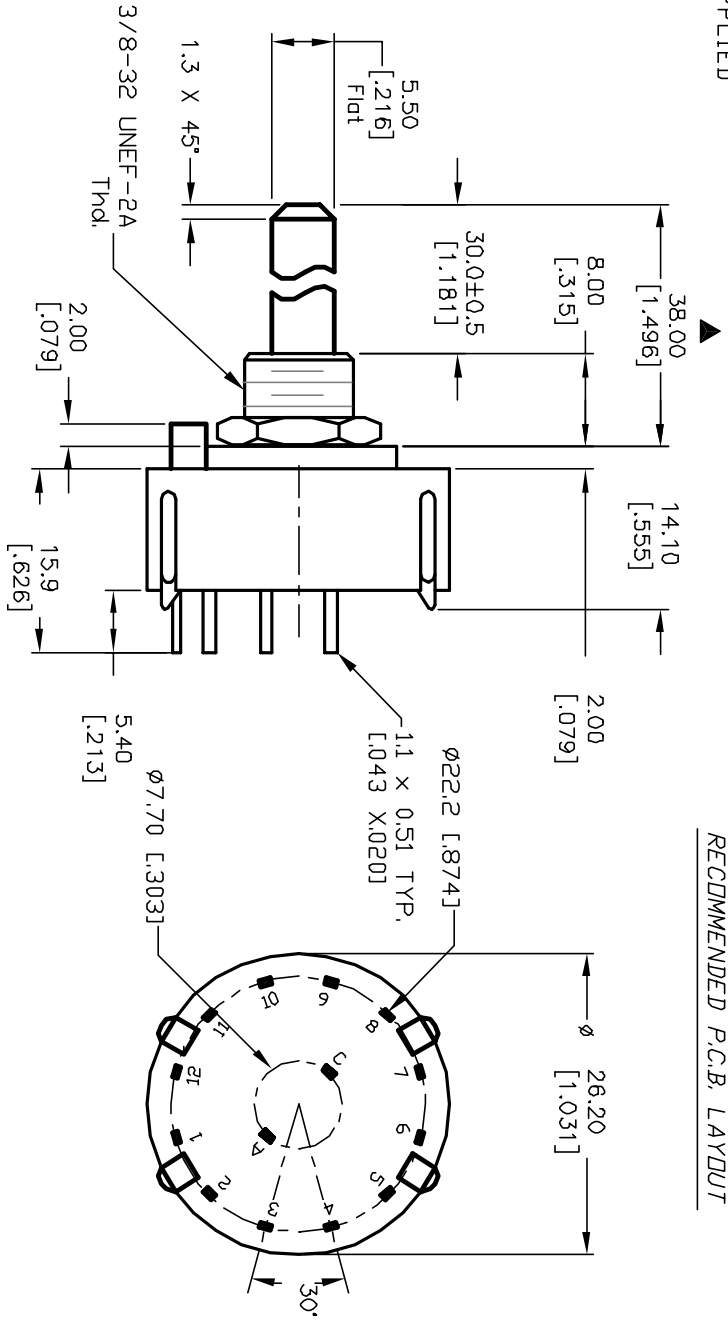
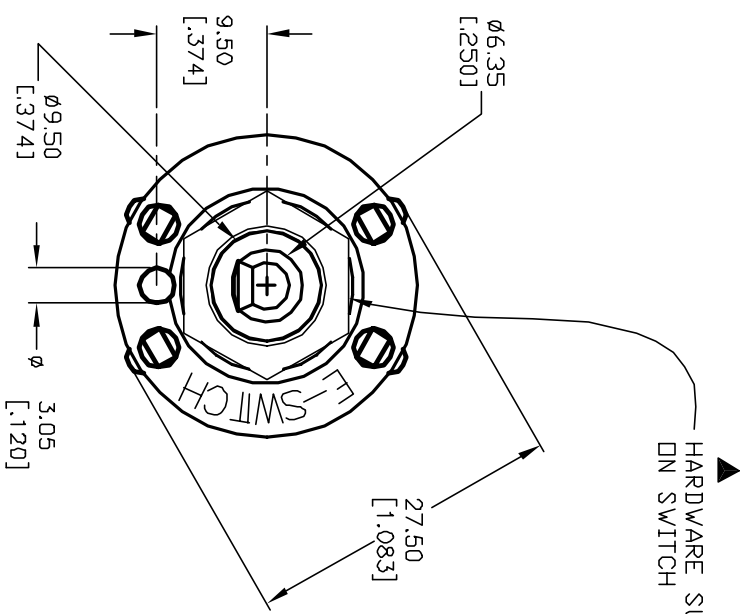
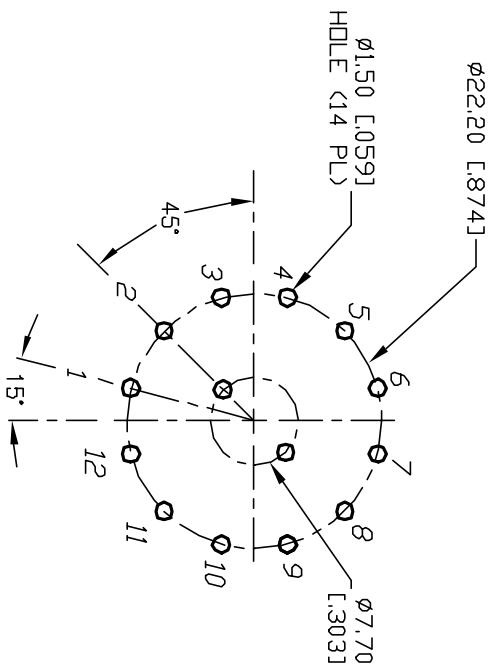
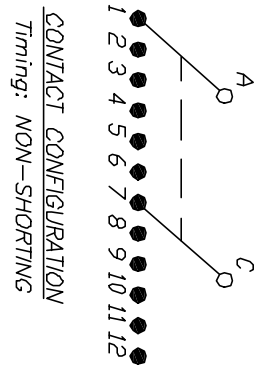


- NOTES:
1. ALL DIMENSION IN MM [INCH]
 2. GENERAL TOLERANCE: X.X=±0.4
X.XX=±0.25
 3. TERM. NOS. FOR REF. ONLY
 4. CONTACT RATING SWITCHING: 150mA, 250V AC/DC
350mA, 110V AC/DC
 5. OPERATING FORCE: 425±100 CM/STANDARD
 6. OPERATING TEMP: -30° to 85°C
 7. CIRCUIT DP: 6 POSITIONS, 30° INDEX.
 8. DIELECTRIC STRENGTH: 1000V RMS min. @SEA LEVEL
 9. DESIGNATE MAJOR DIMENSIONS
 10. HARDWARE SUPPLIED ON SWITCH -SEE BELOW
LOCKRING, LOCKWASHER, & HEX NUT



B		12821	REV DESC. PER NEW CATALOG	2/18/03	CJB	TITLE	KC-26-A-(30.0mm) 01-N-P-S		
A		11276	RELEASED FOR PRODUCTION	3/2/01	CJB	SCALE	1.5:1	DATE	3/2/01
REV.		ECN No.	DESCRIPTION	DATE	CHKD	DR	CJB	DWG	G510450
THE INFORMATION CONTAINED IN THIS DOCUMENT IS PROPRIETARY TO E-SWITCH AND IS NOT TO BE COPIED OR TRANSFERRED						REV	B		

E-SWITCH®