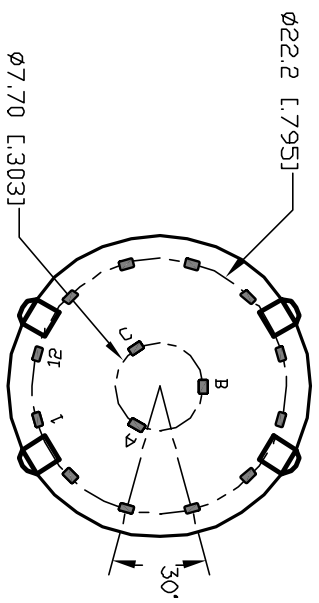
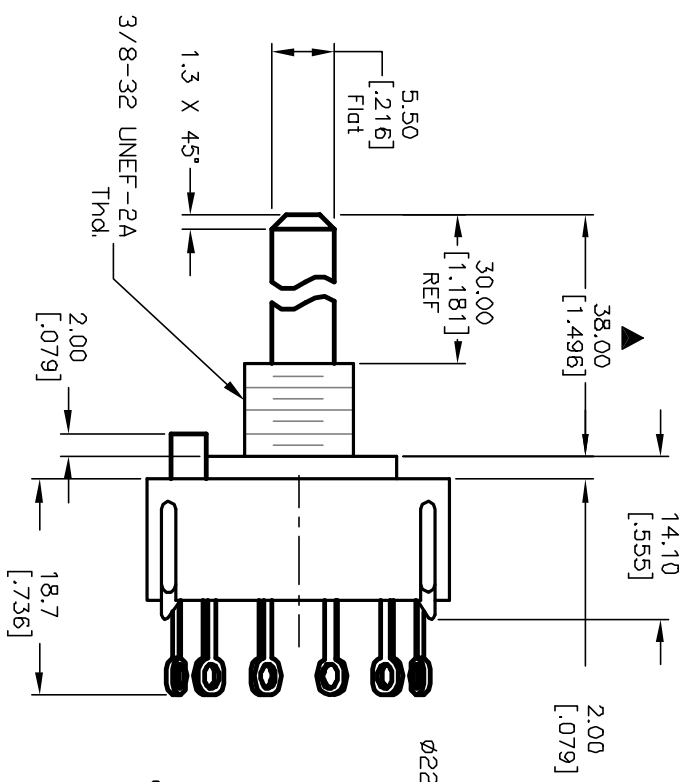
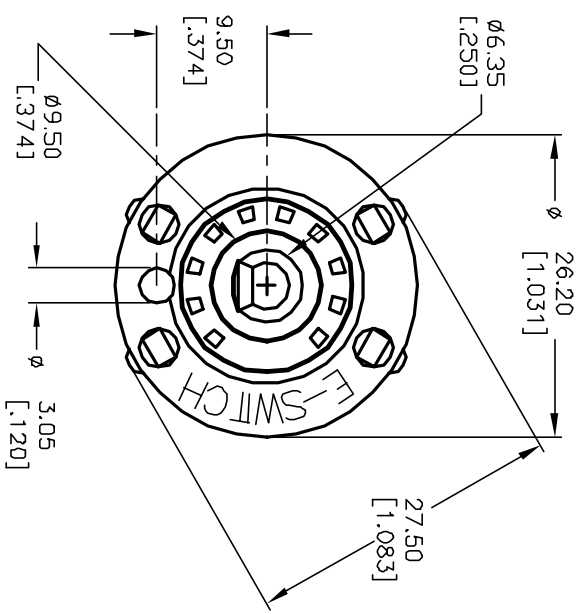
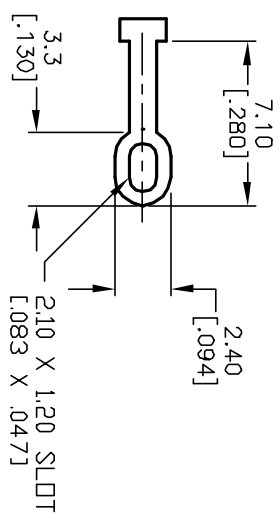
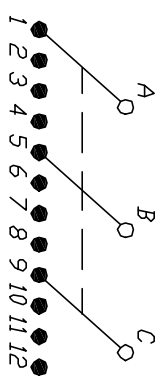


NOTES:

1. ALL DIMENSION IN MM [INCH]
2. GENERAL TOLERANCE: X.X=±0.4  
X.XX=±0.25
3. TERM. NOS. FOR REF. ONLY
4. CONTACT RATING SWITCHING: 150mA, 250V AC/DC  
350mA, 110V AC/DC
5. CONTACT MATERIAL: GOLD FLASH (AU FLASH OVER  
1 MICRON OVER 2 MICRON NI)
6. OPERATING FORCE: 425±100 CM/STANDARD
7. OPERATING TEMP: -30° to 85°C
8. CIRCUIT 3P: 4 POSITIONS, 30° INDEX.
9. DIELECTRIC STRENGTH: 1000V RMS min.@Sea Level
10. DESIGNATE MAJOR DIMENSIONS
11. SUPPLIED HARDWARE: LOCK NUT AND WASHER (NOT SHOWN).



B		12582	REV DESC PER NEW CATALOG	11/20/02	CJB	TITLE	
A		11312	RELEASED FOR PRODUCTION	3/21/01	CJB	KC-34-A (30.0mm)-01-N-L-F	
REV.		ECN No.	DESCRIPTION	DATE	CHKD	SCALE	DATE
						1.5:1	3/21/01
						DR	CJB
						DWG	G510262
						REV	B

THE INFORMATION CONTAINED IN THIS DOCUMENT IS PROPRIETARY TO E-SWITCH AND IS NOT TO BE COPIED OR TRANSFERRED

**E-SWITCH®**