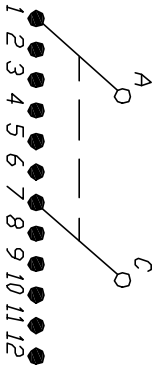
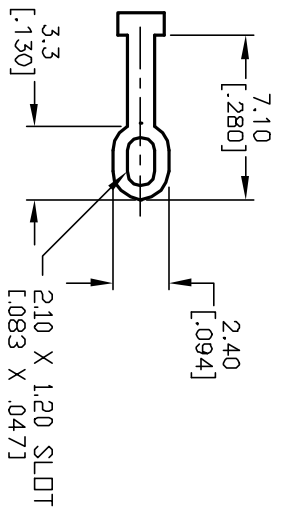


NOTES:

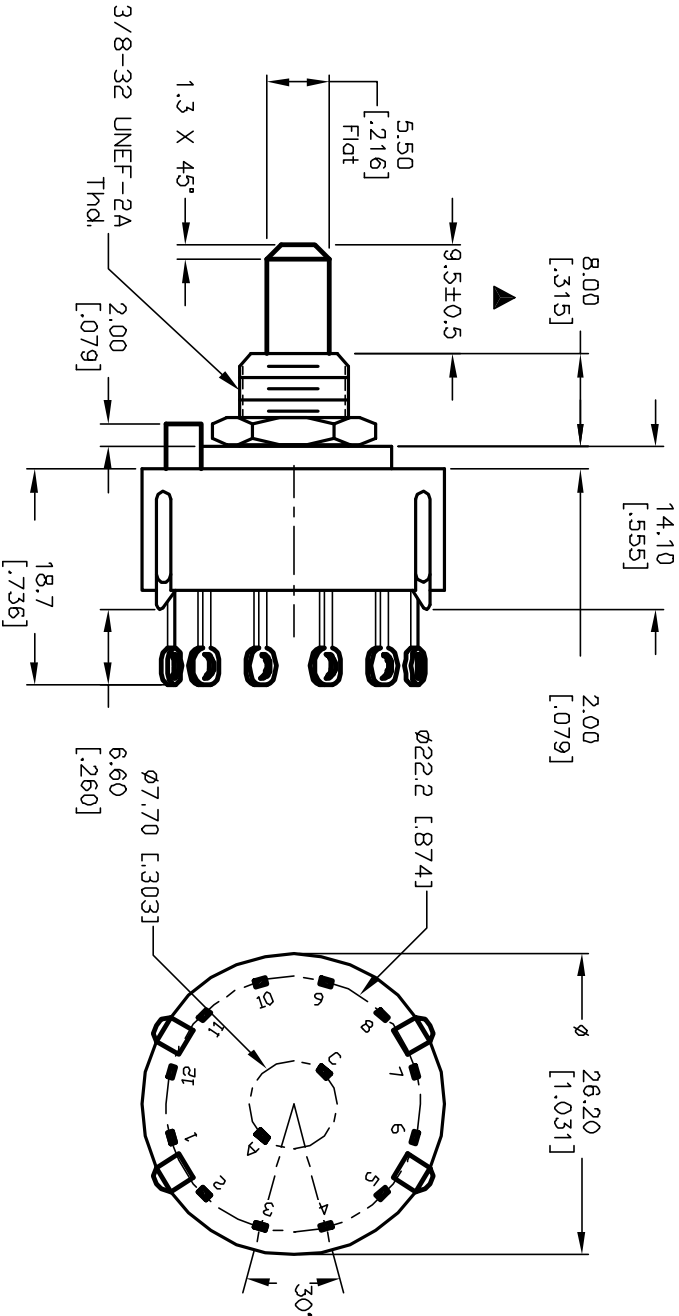
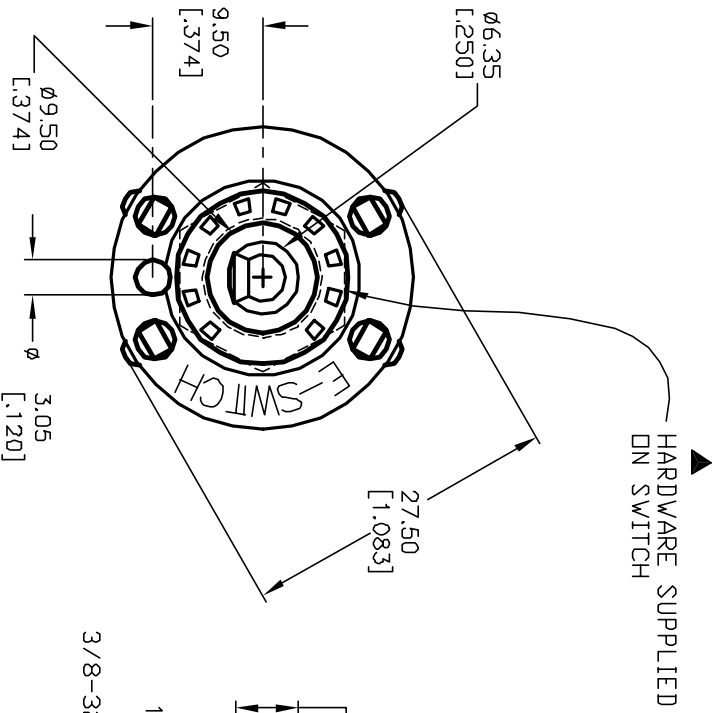
1. ALL DIMENSION IN MM [INCH]
2. GENERAL TOLERANCE: X.X=±0.4
X.XX=±0.25
3. TERM. NOS. FOR REF. ONLY
4. CONTACT RATING SWITCHING: 150mA, 250V AC/DC
350mA, 110V AC/DC
5. CONTACT MATERIAL: GOLD FLASH over Silver Plate
OVER COPPER ALLOY
6. OPERATING FORCE: 425±100 CM/STANDARD
7. OPERATING TEMP: -30° to 85°C
8. CIRCUIT DP: 6 POSITIONS, 30° INDEX.
9. DIELECTRIC STRENGTH: 1000V RMS min.@Sea Level
10. DESIGNATE MAJOR DIMENSIONS
11. HARDWARE SUPPLIED ON SWITCH - SEE BELOW
STOPPING, LOCKWASHER, & HEXNUT



CONTACT CONFIGURATION
Timing: Non Shorting (BBW)



TERMINATION DETAIL
SCALE 2X



E-SWITCH®

B	12821	REVISE NOTE 11	CJB	TITLE	SCALE	DATE	DR	DWG	REV
A	12053	RELEASED FOR PRODUCTION	CJB	KC-26-A (9.5mm)-01-N-L-F	1.5:1	3/27/02	CJB	G523731	B
REV.	ECN No.	DESCRIPTION	CHKD						
THE INFORMATION CONTAINED IN THIS DOCUMENT IS PROPRIETARY TO E-SWITCH AND IS NOT TO BE COPIED OR TRANSFERRED									