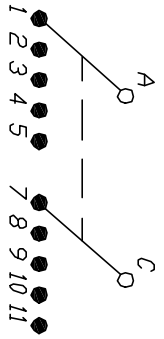
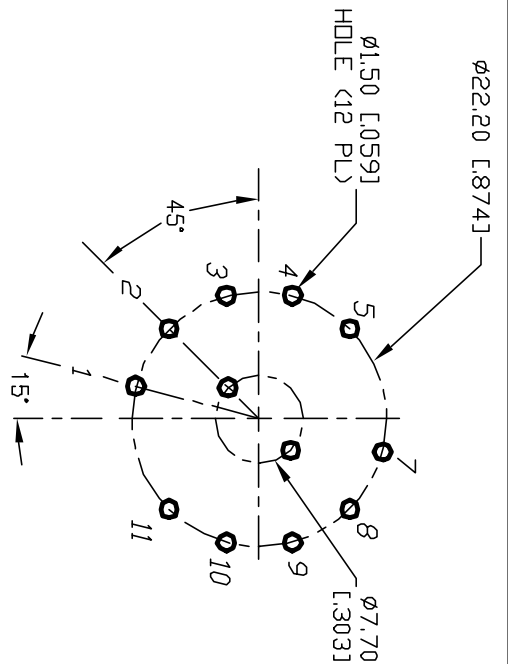


NOTES:

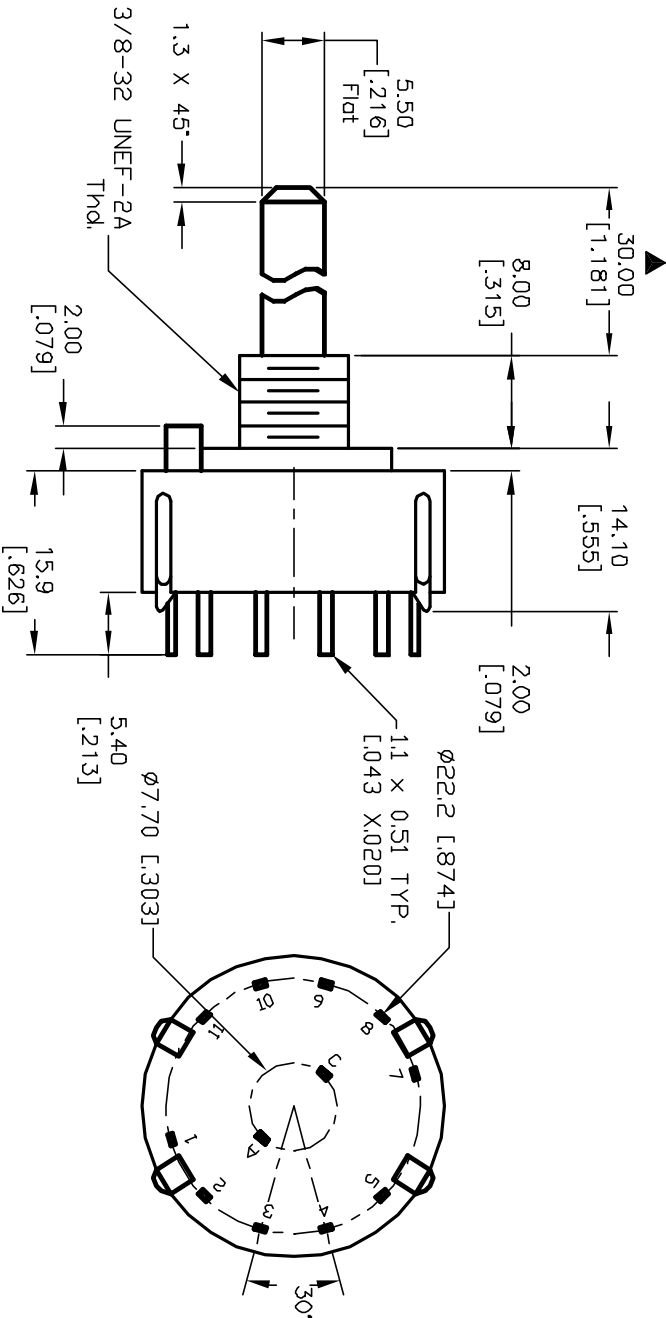
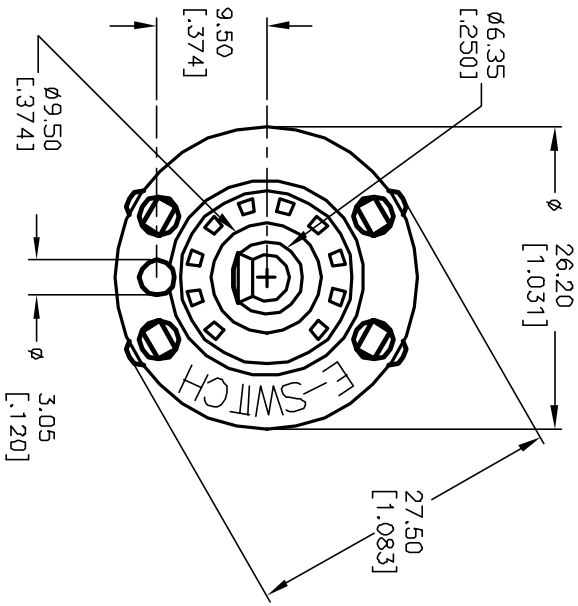
1. ALL DIMENSION IN MM [INCH]
2. GENERAL TOLERANCE: X.X=±0.4
X.XX=±0.25
3. TERM. NOS. FOR REF. ONLY
4. CONTACT RATING SWITCHING: 150mA, 250V AC/DC
350mA, 110V AC/DC
5. CONTACT MATERIAL: Gold Flash over Copper Alloy.
6. OPERATING FORCE: 425±100 CM/STANDARD
7. OPERATING TEMP: -30° to 85°C
8. CIRCUIT 2Pole: 5 POSITIONS, 30° INDEX.
9. DIELECTRIC STRENGTH: 1000V RMS min. @SEA LEVEL
10. DESIGNATE MAJOR DIMENSIONS
11. STOP RING, LOCK NUT AND WASHER NOT SHOWN.



CONTACT CONFIGURATION
Timing: Non-Shorting (BBM)



RECOMMENDED P.C.B. LAYOUT



E-SWITCH®

REV.	ECN No.	DESCRIPTION	DATE	CHKD	SCALE	DATE	DR	DWG	REV
A	11914	RELEASED FOR PRODUCTION	1/8/02	CJB	1.5:1	1/8/02	CJB	G510266	A
TITLE					KC-25-A (30.0mm) 01-N-P-F				
THE INFORMATION CONTAINED IN THIS DOCUMENT IS PROPRIETARY TO E-SWITCH AND IS NOT TO BE COPIED OR TRANSFERRED									