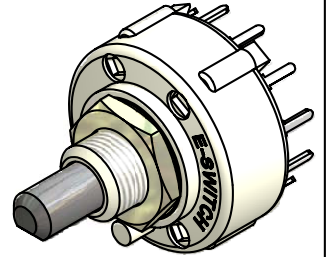
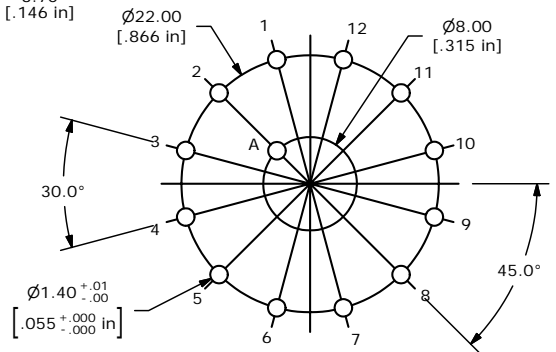
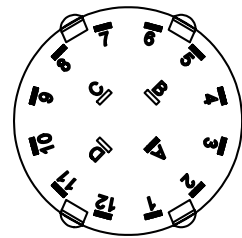


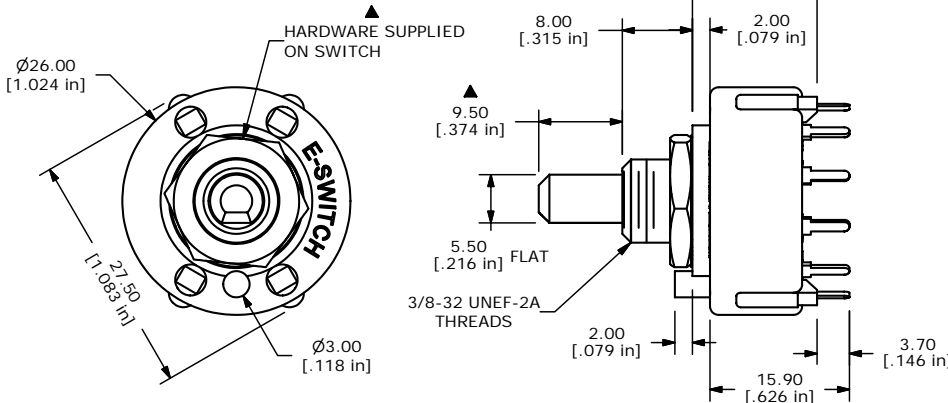
CONTACT CONFIGURATION  
TIMING (BBM) NON-SHORTING



ISOMETRIC



P.C.B MOUNTING LAYOUT



- NOTE:
1. ALL DIMENSIONS IN MM[INCH].
  2. GENERAL TOLERANCE: X.X=±0.4  
X.XX=±0.25
  3. TERM. NOS. FOR REFERENCE ONLY.
  4. CONTACT MATERIAL: SILVER
  5. CONTACT RATING: 150MILLIAMPS, 250VAC/DC  
350MILLIAMPS, 110VAC/DC
  6. CONTACT RATING (NON-SWITCHING) 5A
  7. OPERATING FORCE: 425±100CM/STANDARD
  - ▲8. OPERATING TEMP: -30°C TO 85°C
  9. CIRCUIT SP: 12 POSITION 30° INDEX.
  - ▲10. DIELECTRIC STRENGTH: 500VAC FOR 1 MIN.
  11. HARDWARE SUPPLIED ON SWITCH:  
LOCKWASHER, HEXNUT
  12. ▲ DENOTES CRITICAL PARAMETER.
  13. 2002/95/EC (ROHS) COMPLIANT



TITLE KC52A9.501NPS

D	17410	REVISED AND REDRAWN	6/26/07	TN
REV	PCR NO	DESCRIPTION	DATE	BY

THE INFORMATION CONTAINED IN THIS DOCUMENT IS PROPRIETARY TO E-SWITCH AND IS NOT TO BE COPIED OR TRANSFERRED

SCALE	DATE	DR	DWG	REV
1.5:1	6/26/2007	TN	G529690	D