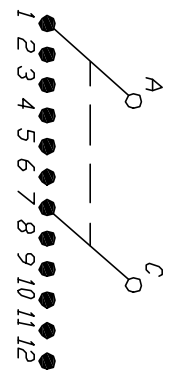
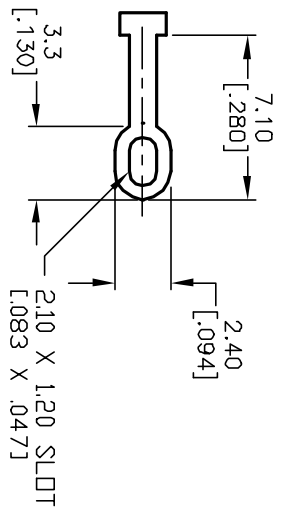


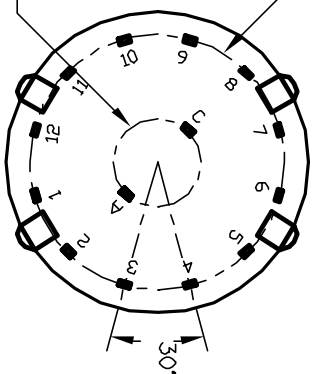
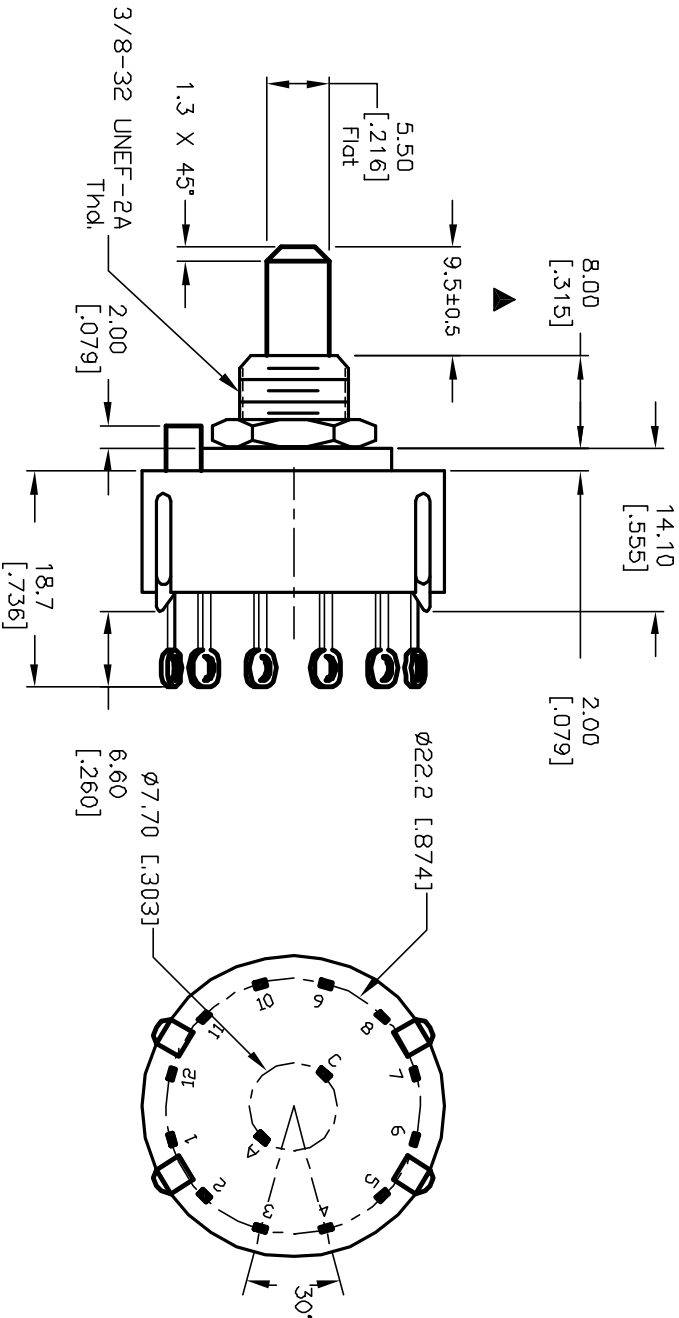
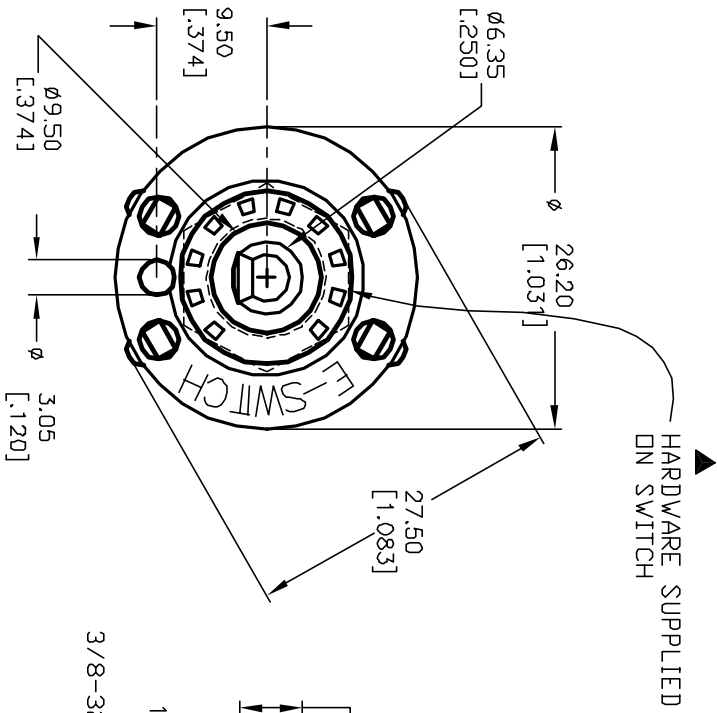
- NOTES:
1. ALL DIMENSION IN MM [INCH]
  2. GENERAL TOLERANCE: X.X=±0.4  
X.XX=±0.25
  3. TERM. NOS. FOR REF. ONLY
  4. CONTACT RATING SWITCHING: 150mA, 250V AC/DC  
350mA, 110V AC/DC
  5. CONTACT MATERIAL: SILVER PLATING OVER COPPER ALLOY
  6. OPERATING FORCE: 425±100 CM/STANDARD
  7. OPERATING TEMP: -30° to 85°C
  8. CIRCUIT DP: 6 POSITIONS, 30° INDEX.
  9. DIELECTRIC STRENGTH: 1000V RMS min.@Sea Level
  10. DESIGNATE MAJOR DIMENSIONS
  11. HARDWARE SUPPLIED ON SWITCH— SEE BELOW  
STOPRING, LOCKWASHER, & HEXNUT.



CONTACT CONFIGURATION  
Timing: Non Shorting (BBM)



TERMINATION DETAIL  
SCALE 2X



B	12821	REVISED NOTE 11	3/6/03	CJB	TITLE	SCALE	DATE	DR	DWG	REV
A	12020	RELEASED FOR PRODUCTION	3/27/02	CJB	KC-26-A (9.5mm) 01-N-L-S	1.5:1	3/27/02	CJB	G523729	B
REV.	ECN No.	DESCRIPTION	DATE	CHKD						
<p><b>E-SWITCH®</b></p> <p>THE INFORMATION CONTAINED IN THIS DOCUMENT IS PROPRIETARY TO E-SWITCH AND IS NOT TO BE COPIED OR TRANSFERRED</p>										