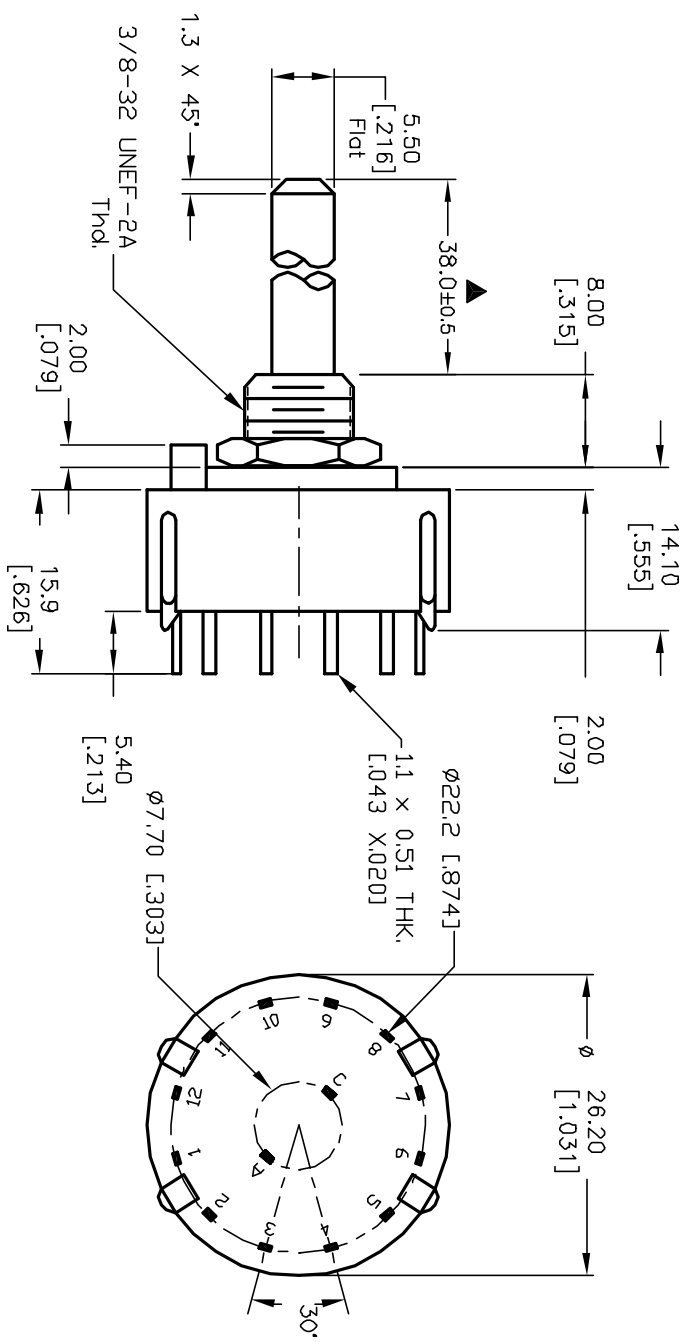
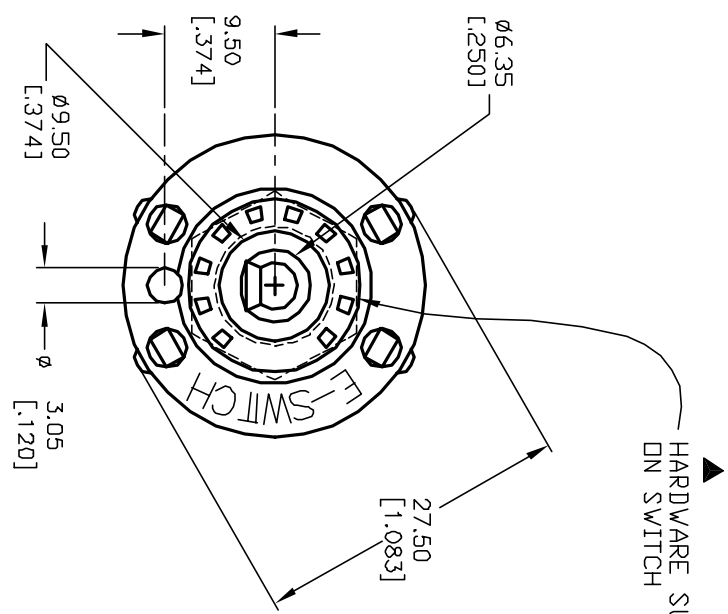
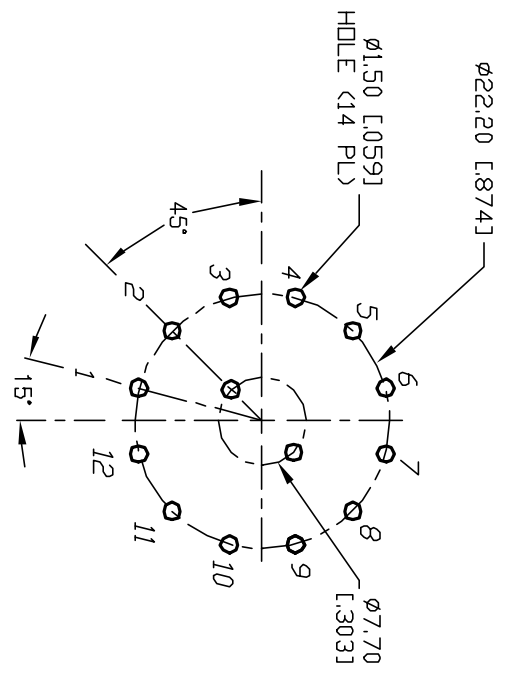
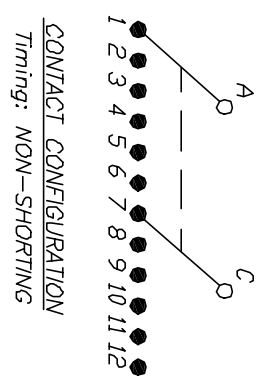


- NOTES:
1. ALL DIMENSION IN MM [INCH]
 2. GENERAL TOLERANCE: X.X=±0.4
X.XX=±0.25
 3. TERM. NOS. FOR REF. ONLY
 4. CONTACT RATING SWITCHING: 150mA, 250V AC/DC
350mA, 110V AC/DC
 5. CONTACT RATING (NON-SWITCHING) 5A
 6. OPERATING FORCE: 425±100 CM/STANDARD
 7. OPERATING TEMP: -30° to 85°C
 8. CIRCUIT DP: 6 POSITIONS, NON SHORTING, 30° INDEX.
 9. DIELECTRIC STRENGTH 1000V RMS min. @ SEA LEVEL
 10. DESIGNATE MAJOR DIMENSIONS
 11. HARDWARE SUPPLIED ON SWITCH - SEE BELOW STOPPING, LOCKWASHER, & HEXNUT
 12. ▲ DENOTES CRITICAL PARAMETER.



| | | | | | | | | | |
|--|--|---------|--|-------------------------|--|---------|--|------|--|
| REV. A | | 12970 | | RELEASED FOR PRODUCTION | | 3/27/03 | | AR | |
| REV. | | ECN No. | | DESCRIPTION | | DATE | | CHKD | |
| TITLE: KC26A38.001NPS SCALE: 1.5:1 DATE: 3/27/03 DR: AR DWG: G523761 REV: A | | | | | | | | | |
| THE INFORMATION CONTAINED IN THIS DOCUMENT IS PROPRIETARY TO E-SWITCH AND IS NOT TO BE COPIED OR TRANSFERRED | | | | | | | | | |

E-SWITCH®