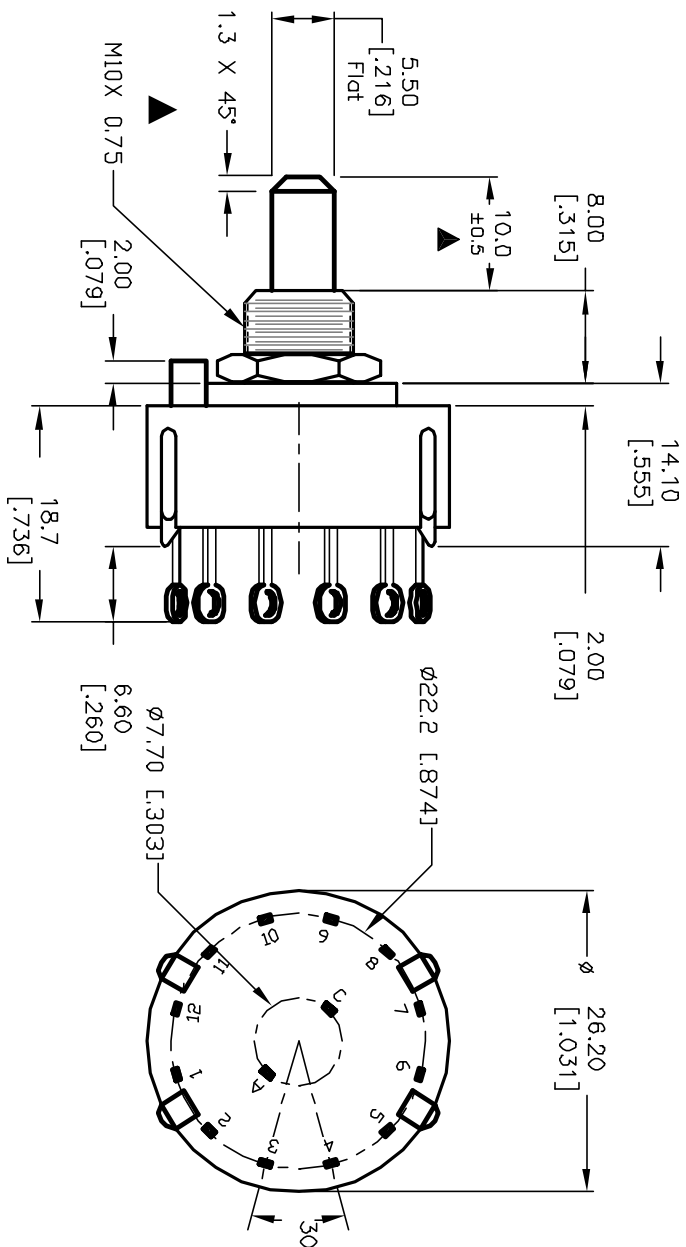
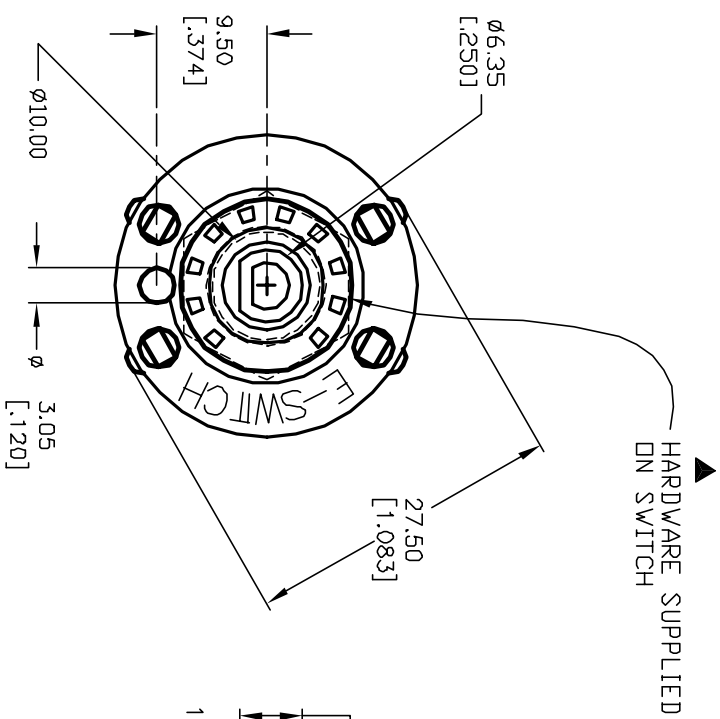
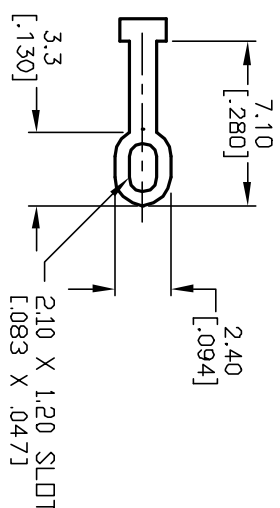
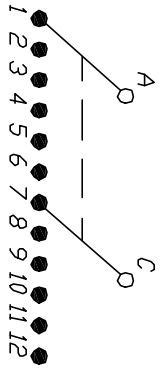


- NOTES:
1. ALL DIMENSION IN MM [INCH]
 2. GENERAL TOLERANCE: X.X=±0.4
X.XX=±0.25
 3. TERM. NOS. FOR REF. ONLY
 4. CONTACT RATING SWITCHING: 150mA, 250V AC/DC
350mA, 110V AC/DC
 5. OPERATING FORCE: 425±100 CM/STANDARD
 6. OPERATING TEMP: -30° to 85°C
 7. CIRCUIT DP: 6 POSITIONS, 30° INDEX.
 8. DIELECTRIC STRENGTH: 1000V RMS min.@Sea Level
 9. DESIGNATE MAJOR DIMENSIONS
 10. HARDWARE SUPPLIED ON SWITCH- SEE BELOW
STOPRING, LOCKWASHER, & HEXNUT



REVISE NOTE 10		8/29/02	CJB	TITLE		KC-26-A (10.0mm) 02-N-L-S		SCALE		1.5:1	DATE	8/28/02	DR	CJB	DWG	G510405	REV	B
A	12821	RELEASED FOR PRODUCTION	8/29/02	CJB	DESCRIPTION		DATE	CHKD										
A	12392																	
REV.	ECN No.																	

THE INFORMATION CONTAINED IN THIS DOCUMENT IS PROPRIETARY TO E-SWITCH AND IS NOT TO BE COPIED OR TRANSFERRED

E-SWITCH®