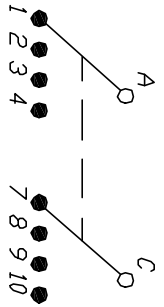
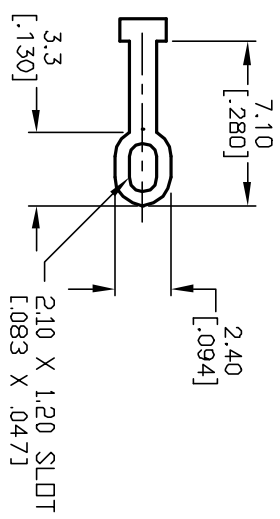


NOTES:

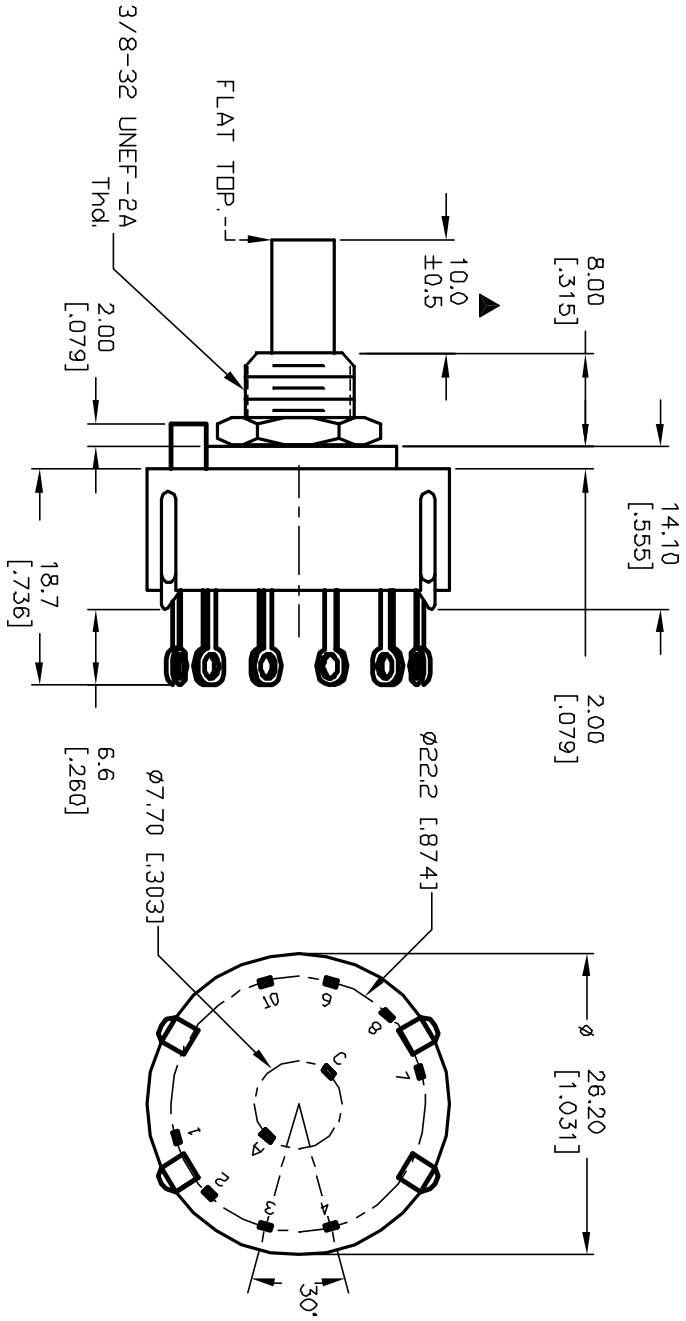
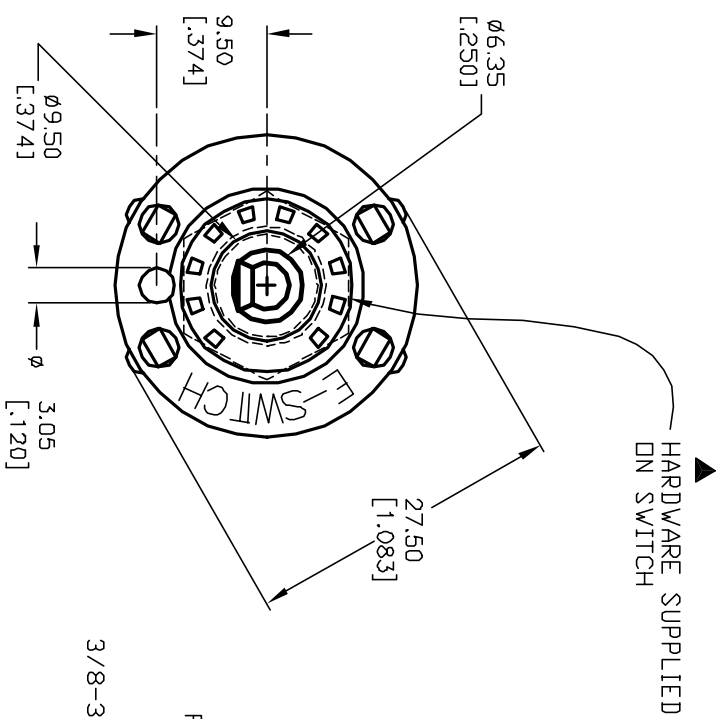
1. ALL DIMENSION IN MM [INCH]
2. GENERAL TOLERANCE: X.X=±0.4
X.XX=±0.25
3. TERM. NOS. FOR REF. ONLY
4. CONTACT RATING SWITCHING: 150mA, 250V AC/DC
350mA, 110V AC/DC
5. CONTACT RATING (NON-SWITCHING) 5A
6. CONTACT MATERIAL: SILVER OVER COPPER ALLOY
7. OPERATING FORCE: 425±100 CM/STANDARD
8. OPERATING TEMP: -30° to 85°C
9. CIRCUIT DP: 4 POSITIONS, 30° INDEX.
10. DIELECTRIC STRENGTH 1000V RMS min. @ SEA LEVEL
11. DESIGNATE MAJOR DIMENSIONS
12. HARDWARE SUPPLIED ON SWITCH-SEE BELOW
STOPRING, LOCKWASHER, & HEXNUT



CONTACT CONFIGURATION
Timing: Non-Shorting



TERMINATION DETAIL
SCALE 2X



E-SWITCH®

B	12821	REVISED NOTE 12	11/19/02	CJB	TITLE	SCALE	DATE	DR	DWG	REV
A	12579	RELEASED FOR PRODUCTION	11/19/02	CJB	KC-24A (10.0mm) 01-N-L-S	1.5:1	11/19/02	CJB	G510907	B
REV.	ECN No.	DESCRIPTION	DATE	CHKD						

THE INFORMATION CONTAINED IN THIS DOCUMENT IS PROPRIETARY TO E-SWITCH AND IS NOT TO BE COPIED OR TRANSFERRED