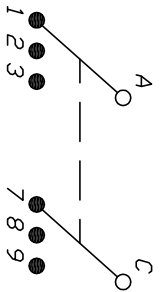
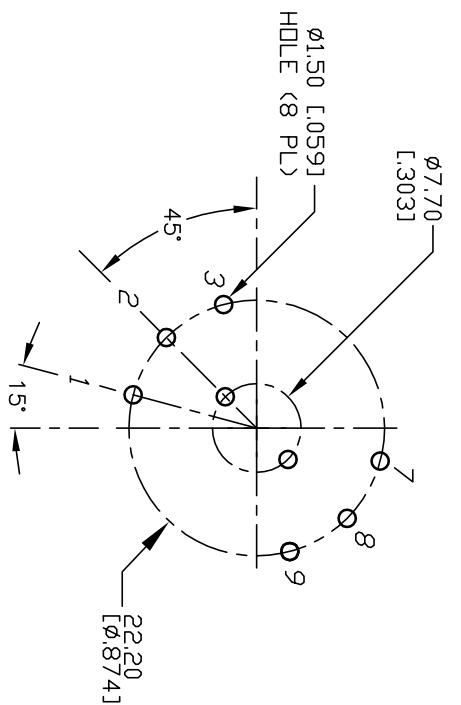


NOTES:

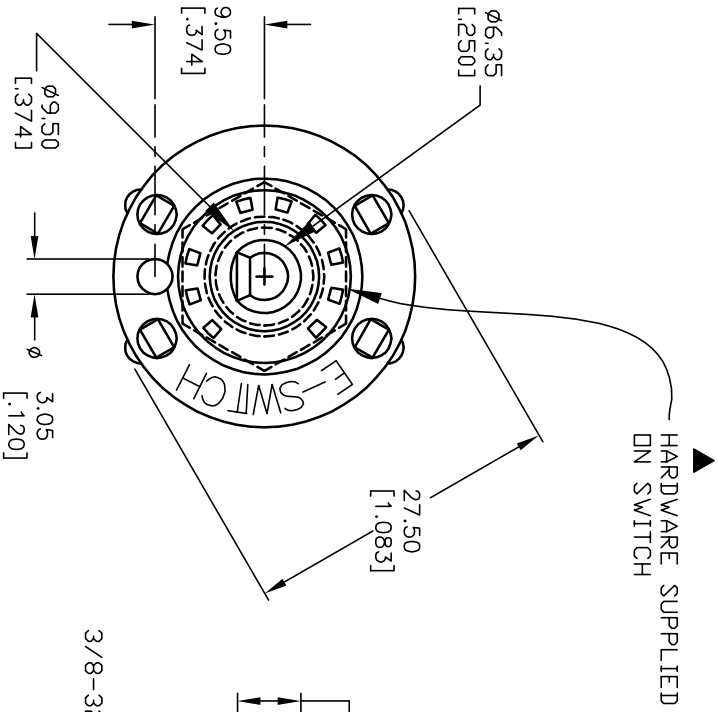
1. ALL DIMENSION IN MM [INCH]
2. GENERAL TOLERANCE: X.X=±0.4
X.XX=±0.25
3. TERM. NOS. FOR REF. ONLY.
4. CONTACT RATING SWITCHING: 150mA, 250V AC/DC
350mA, 110V AC/DC
5. CONTACT RATING (NON-SWITCHING) 5A
6. CONTACT MATERIAL: SILVER OVER COPPER ALLOY
7. OPERATING FORCE: 425±100 CM/STANDARD
8. OPERATING TEMP: -30° to 85°C
9. CIRCUIT DP: 3 POSITIONS, 30° INDEX.
10. TIMING: BBM (Non-Shorting) Break Before Make
11. DIELECTRIC STRENGTH 1000V RMS min.@ SEA LEVEL
12. ▲ DENOTES CRITICAL PARAMETER
13. HARDWARE SUPPLIED ON SWITCH - SEE BELOW
STOPPING, LOCKWASHER, & HEXNUT



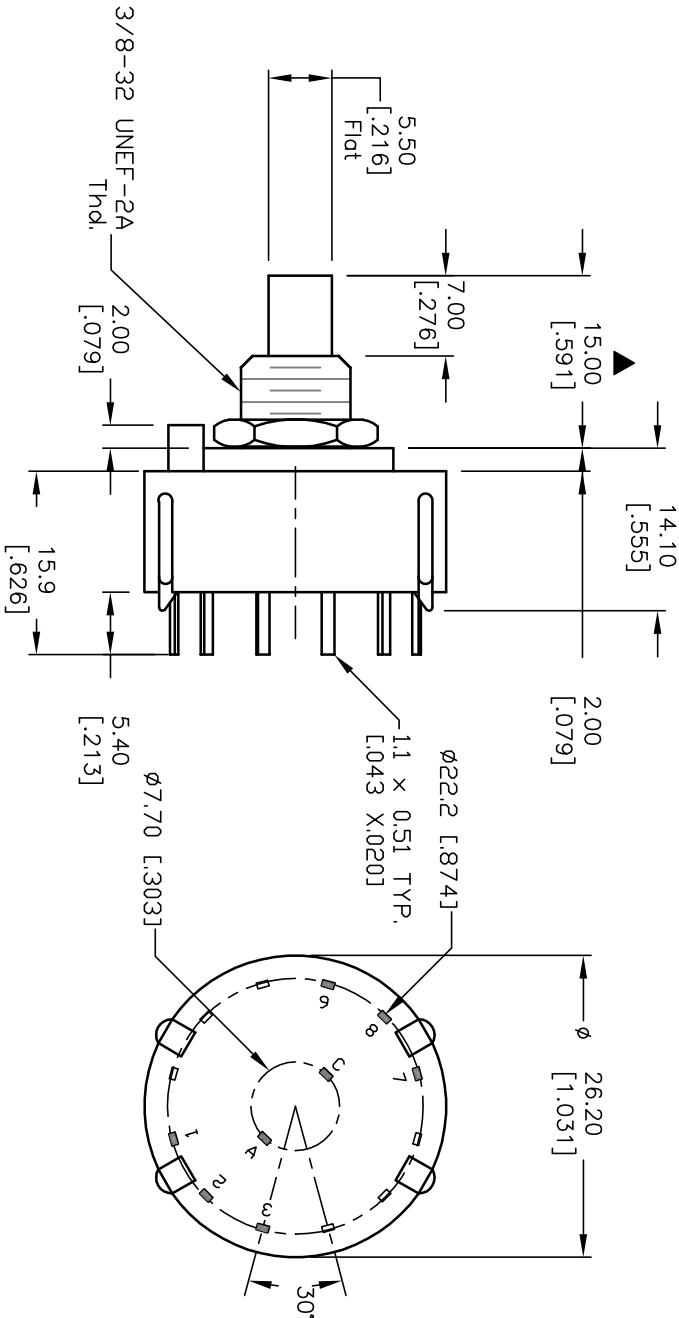
CONTACT CONFIGURATION
(SEE NOTE 10)



RECOMMENDED P.C.B. LAYOUT



▲ HARDWARE SUPPLIED
ON SWITCH



E-SWITCH®

KC23A7.001NPS

REV.	ECN No.	DESCRIPTION	DATE	CHKD
A	13378	RELEASED FOR PRODUCTION	8/15/03	AR

TITLE	SCALE	DATE	DR	DWG	REV
KC23A7.001NPS	1.5:1	8/15/03	AR	G510202	A

THE INFORMATION CONTAINED IN THIS DOCUMENT IS PROPRIETARY TO E-SWITCH AND IS NOT TO BE COPIED OR TRANSFERRED