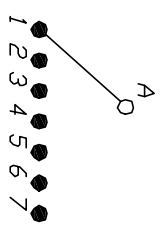
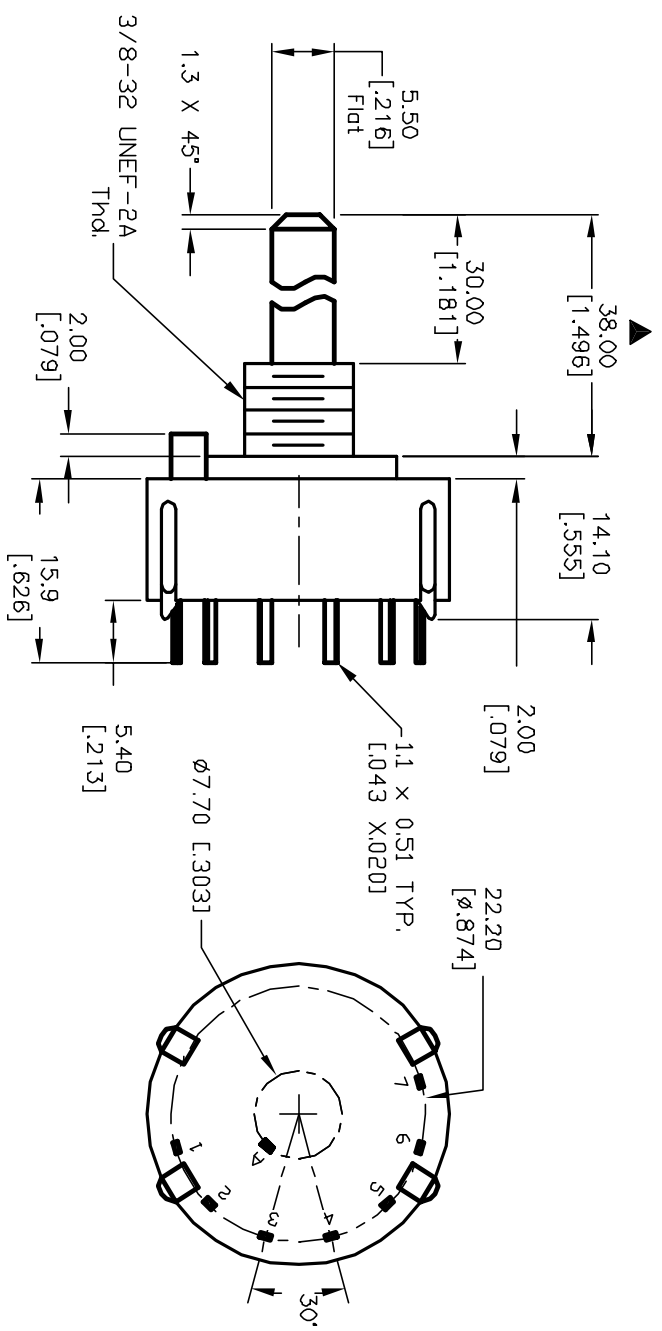
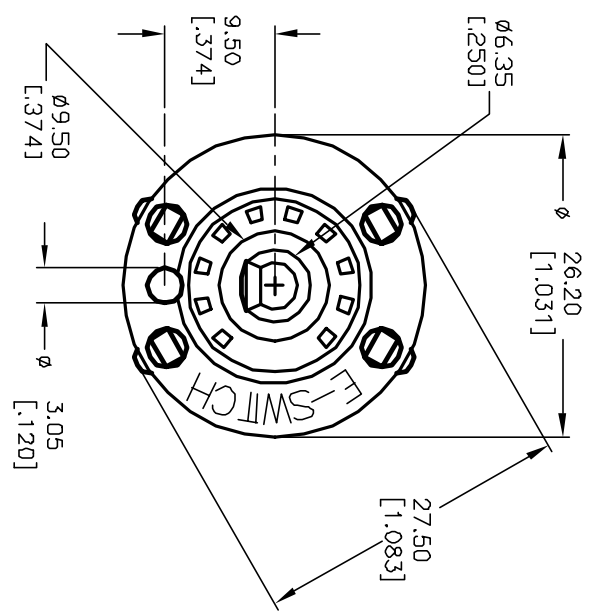
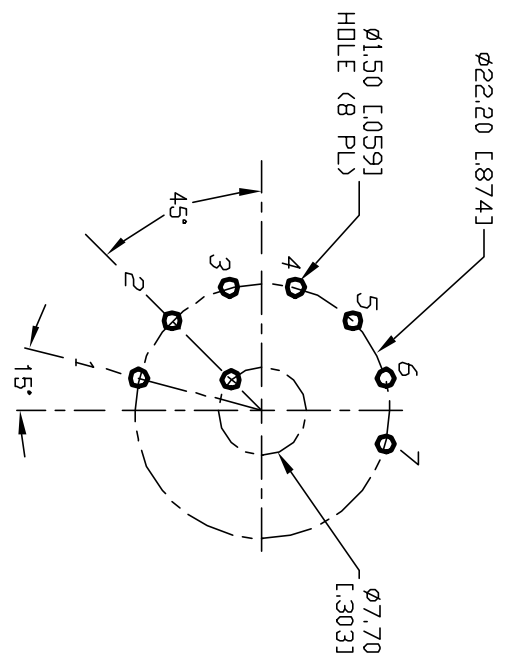


- NOTES:
1. ALL DIMENSION IN MM [INCH]
  2. GENERAL TOLERANCE: X.X=±0.4  
X.XXX=±0.25
  3. TERM. NOS. FOR REF. ONLY
  4. CONTACT RATING SWITCHING: 150mA, 250V AC/DC  
350mA, 110V AC/DC
  5. OPERATING FORCE: 425±100 CM/STANDARD
  6. OPERATING TEMP: -30° to 85°C
  7. CIRCUIT SP: 7 POSITIONS, 30° INDEX.
  8. DIELECTRIC STRENGTH: 1000V RMS min.@SEA LEVEL.
  9. DESIGNATE MAJOR DIMENSIONS
  10. STOP RING, LOCK NUT AND WASHER NOT SHOWN.



CONTACT CONFIGURATION  
Timing: Non-Shorting (BBM)



B		12422	REVISED PER NEW CATALOG	9/16/02	CJB	TITLE	SCALE	DATE	DR	DWG	REV
A		11516	RELEASED FOR PRODUCTION	5/29/01	CJB	KC-17-A (30.0mm)-01-N-P-S	1.5:1	5/29/01	CJB	G527960	B
REV.		ECN No.	DESCRIPTION	DATE	CHKD						
THE INFORMATION CONTAINED IN THIS DOCUMENT IS PROPRIETARY TO E-SWITCH AND IS NOT TO BE COPIED OR TRANSFERRED											
<b>E-SWITCH®</b>											