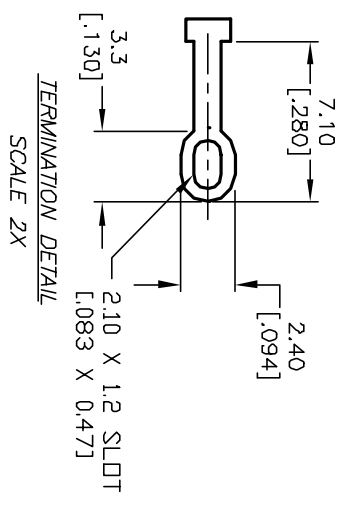
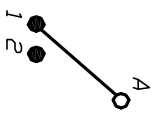


- NOTES:
1. ALL DIMENSION IN MM [INCH]
 2. GENERAL TOLERANCE: X.X=±0.4
X.XX=±0.25
 3. TERM. NOS. FOR REF. ONLY
 4. CONTACT RATING SWITCHING: 150mA, 250V AC/DC
350mA, 110V AC/DC
 5. CONTACT RATING (NON-SWITCHING) 5A
 6. CONTACT MATERIAL: SILVER OVER COPPER ALLOY
 7. OPERATING FORCE: 425±100 CM/STANDARD
 8. OPERATING TEMP: -30° to +85°C
 9. CIRCUIT SP: 2 POSITIONS, 30° INDEX
 10. DIELECTRIC STRENGTH 1000V RMS min. @ SEA LEVEL
 10. ▲ DENOTES CRITICAL PARAMETER.



B	13132	6.35 WAS 6.00	5/13/03	AR
A	13080	RELEASED FOR PRODUCTION	4/24/03	AR
REV.	ECN No.	DESCRIPTION	DATE	CHKD

TITLE		SCALE		DATE	DR	DWG	REV
KC12A10.001NLS		1.5:1		4/24/03	AR	G527528	B

E-SWITCH®

THE INFORMATION CONTAINED IN THIS DOCUMENT IS PROPRIETARY TO E-SWITCH AND IS NOT TO BE COPIED OR TRANSFERRED