

18 POSN. 20° THROW, LAYER 1  
 = CLOSED TO RESPECTIVE COMMON

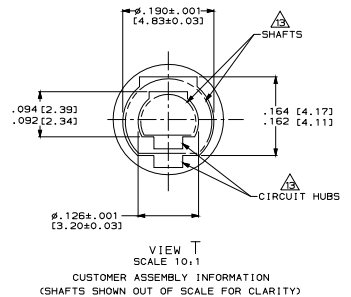
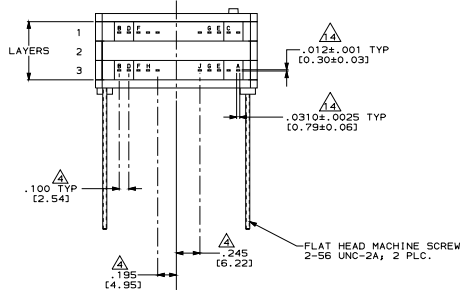
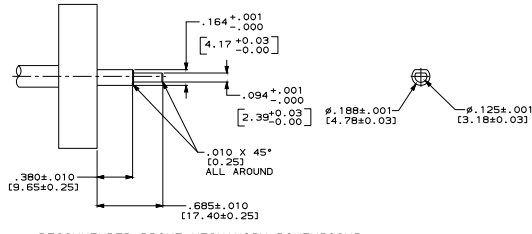
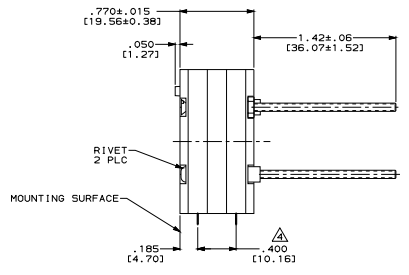
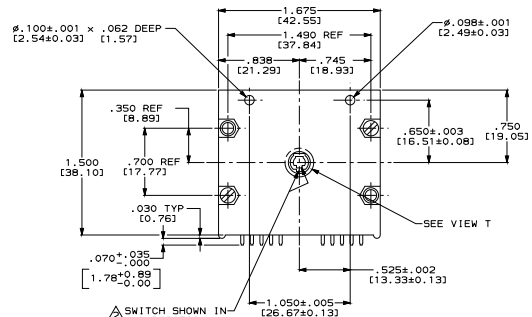
POSN.	B	C	D	E	F	G
1	●	●	●	●	●	●
2	●	●	●	●	●	●
3	●	●	●	●	●	●
4	●	●	●	●	●	●
5	●	●	●	●	●	●
6	●	●	●	●	●	●
7	●	●	●	●	●	●
8	●	●	●	●	●	●
9	●	●	●	●	●	●
10	●	●	●	●	●	●
11	●	●	●	●	●	●
12	●	●	●	●	●	●
13	●	●	●	●	●	●
14	●	●	●	●	●	●
15	●	●	●	●	●	●
16	●	●	●	●	●	●
17	●	●	●	●	●	●
18	●	●	●	●	●	●

20 POSN. 18° THROW, LAYER 3  
 = CLOSED TO RESPECTIVE COMMON

POSN.	A	B	D	E	F	G	H	J
1	●	●	●	●	●	●	●	●
2	●	●	●	●	●	●	●	●
3	●	●	●	●	●	●	●	●
4	●	●	●	●	●	●	●	●
5	●	●	●	●	●	●	●	●
6	●	●	●	●	●	●	●	●
7	●	●	●	●	●	●	●	●
8	●	●	●	●	●	●	●	●
9	●	●	●	●	●	●	●	●
10	●	●	●	●	●	●	●	●
11	●	●	●	●	●	●	●	●
12	●	●	●	●	●	●	●	●
13	●	●	●	●	●	●	●	●
14	●	●	●	●	●	●	●	●
15	●	●	●	●	●	●	●	●
16	●	●	●	●	●	●	●	●
17	●	●	●	●	●	●	●	●
18	●	●	●	●	●	●	●	●
19	●	●	●	●	●	●	●	●
20	●	●	●	●	●	●	●	●

AMP, AMP PART NO. & DATE CODE  
 INK STAMPED APPROX. AS SHOWN

REV	DF	LO	#	ZONE	LTN	DESCRIPTION	DATE	APPD
E						REV PER ECO 05-10335 CT	6-06	SG



- SWITCH NOT TO BE DISASSEMBLED.
- SWITCH POSITIONS INCREASE WHEN ROTATED IN A CLOCKWISE DIRECTION.
- DO NOT MAKE ELECTRICAL CONNECTION TO ANY UNUSED PINS.
- THESE DIMENSIONS HAVE NON-CUMULATIVE TOLERANCES.
- THE TORQUE REQUIRED TO ROTATE EITHER #1 OR #2 PRINTED CIRCUIT BOARD IS NOT TO EXCEED 1.5 INCH-OUNCE.
- FOR ADDITIONAL SPECIFICATIONS SEE AMP PRODUCT SPEC. 108-7061.
  - IN LAYER 3 PIN "B" IS CLOSED TO "A" COMMON IN POSITION, OPENING BETWEEN DETENT POSITIONS.
  - IN LAYER #1 PINS B, C, D, E & F ARE CLOSED TO "G" COMMON.
  - IN LAYER #3 PINS D, E, F, G & H ARE CLOSED TO "J" COMMON.
- CODE TRANSITION TO TAKE PLACE HOWAY BETWEEN DETENT POSITIONS 1-5
- ALL ELECTRICALLY ACTIVE PINS ARE IDENTIFIED BY LETTERS. THOSE NOT ELECTRICALLY ACTIVE ARE SHOWN, BUT NOT LETTERED.
- SWITCH IS 100% ELECTRICAL TESTED AND INSPECTED.
- FLATS ON CIRCUIT HUBS AND CUSTOMER GEAR BOX SHAFTS MUST BE ORIENTED AS SHOWN.
- CONTACT DIMENSION DOES NOT INCLUDE CUT-OFF BURR.

DO NOT SCALE PRINT. UNLESS SPECIFIED DIMENSIONS IN INCHES (mm) TOLERANCES ON 1/2 PLC DEC # .010 (0.25) INCHES # -		DR 1-17-91 OMAX THOMAS	AMP Incorporated Harrisburg, PA 17105-3608
FINISH -		CHK 1-22-91 S. BLAFELTER	447610-1 PART NO.
MATERIAL -		AMPD 1-22-91 S. BLAFELTER	NAME ROTARY SWITCH ASSY, 3510 SERIES, MULTI-BUSHING, 20 POSN PRIMARY, 18 POSN SECONDARY, 3 LAYER
PRODUCT SPEC -		AMPD 1-22-91 C. THOMAS	SIZE D CASE CODE 00779 DRAWING NO. 447610
APPLICATION SPEC -		WEIGHT -	SCALE 2:1 SHEET 1 OF 1

CUSTOMER DRAWING