

4

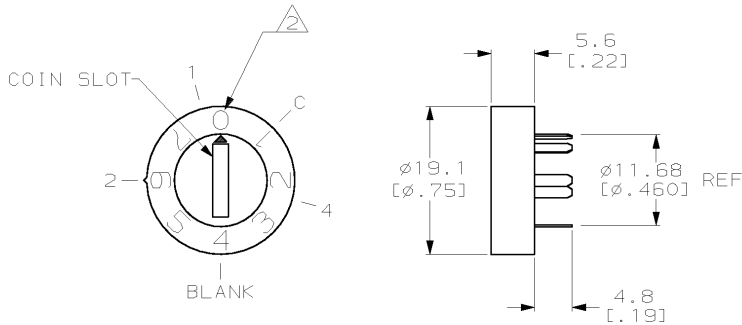
3

2

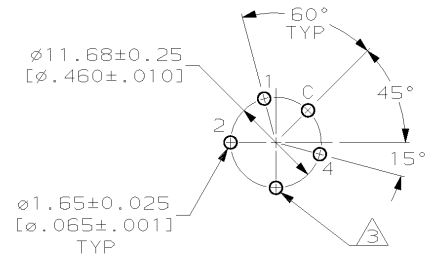
1

THIS DRAWING IS UNPUBLISHED. RELEASED FOR PUBLICATION
 © COPYRIGHT 19 BY AMP INCORPORATED. ALL RIGHTS RESERVED.

LOC	DIST	REVISIONS			
P	LTR	DESCRIPTION	DATE	DWN	APVD
FT	69	H	REV PER 063C-0156-03	130CT04	JR MZ



- ① FINISH: SOLDDERTAILS TIN PLATE 0.0051 [0.00200] MIN. THICK. CONTACT AREA 0.00076 [0.00030] MIN. HARD GOLD OVER 0.00127-0.00254 [0.00050-0.00100] LOW STRESS NICKEL.
- ② CHARACTERS 2.5 [0.10] HIGH, COLOR BLACK.
- ③ BLANK HOLE FOR MECHANICAL STABILITY OF SWITCH.



P.C. BOARD HOLE LAYOUT
SWITCH SIDE

		SWITCH POSITION							
		0	1	2	3	4	5	6	7
COMMON TO	1		●		●		●		●
	2			●	●			●	●
	3					●	●		
	4							●	●

THIS DRAWING IS A CONTROLLED DOCUMENT.		DWN R. TALLEY 8-7-91	435174-1 PART NO	
DIMENSIONS: mm (INCHES)		CHK R. MILLER 8-7-91	AMP Incorporated Harrisburg, PA 17105-3608	
TOLERANCES UNLESS OTHERWISE SPECIFIED:		APVD D. HUFFMAN 8-9-91	NAME ROTARY SWITCH ASSY, 8 POSN, 6000 SERIES BCO	
0 PLC ±- 1 PLC ±- 2 PLC ±0.5 (0.02) 3 PLC ±- 4 PLC ±- ANGLES ±0°30'		PRODUCT SPEC 108-7514	SIZE CAGE CODE DRAWING NO A3100779 435174	
MATERIAL CASE: THERMOPLASTIC, COLOR NATURAL CONTACT: BERYLLIUM COPPER		APPLICATION SPEC 114-7005	RESTRICTED TO -	
FINISH ①		WEIGHT -	SCALE 2:1 SHEET 1 OF 3 REV H	
CUSTOMER DRAWING				

4

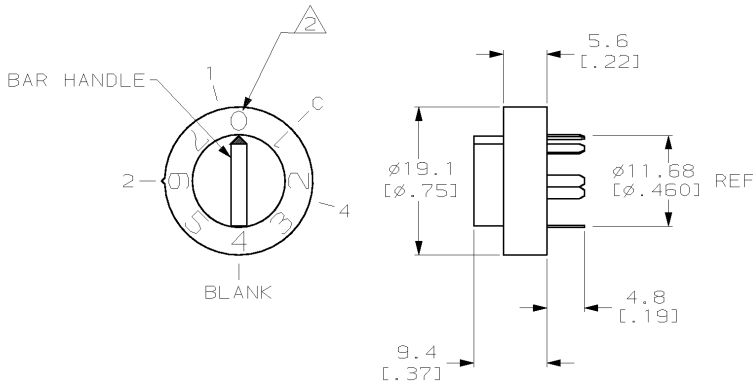
3

2

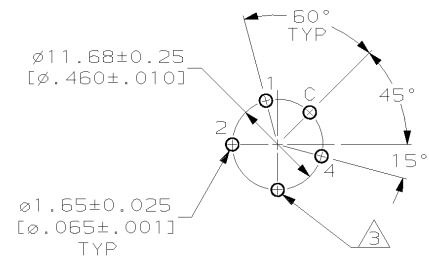
1

THIS DRAWING IS UNPUBLISHED. RELEASED FOR PUBLICATION .19
 © COPYRIGHT 19 BY AMP INCORPORATED. ALL RIGHTS RESERVED.

LOC	DIST	REVISIONS			
P	LTR	DESCRIPTION	DATE	DWN	APVD
H		SEE SHEET 1	-	-	-



- ① FINISH: SOLDER TAILS TIN PLATE 0.0051 [0.000200] MIN. THICK. CONTACT AREA 0.00076 [0.00030] MIN. HARD GOLD OVER 0.00127-0.00254 [0.000050-.000100] LOW STRESS NICKEL.
- ② CHARACTERS 2.5 [0.10] HIGH, COLOR BLACK.
- ③ BLANK HOLE FOR MECHANICAL STABILITY OF SWITCH.



P.C. BOARD HOLE LAYOUT
SWITCH SIDE

		SWITCH POSITION							
		0	1	2	3	4	5	6	7
COMMON TO	1		●						
	2			●					
	3				●				
	4					●			

1-435174-1

PART NO

THIS DRAWING IS A CONTROLLED DOCUMENT.		DWN R. TALLEY 8-7-91	AMP AMP Incorporated Harrisburg, PA 17105-3608	NAME ROTARY SWITCH ASSY, 8 POSN, 6000 SERIES BCO	RESTRICTED TO -
DIMENSIONS: mm (INCHES)		CHK R. MILLER 8-7-91			
TOLERANCES UNLESS OTHERWISE SPECIFIED:		APVD D. HUFFMAN 8-9-91	PRODUCT SPEC 108-7514		
0 PLC ±-		APPLICATION SPEC 114-7005			
1 PLC ±-		WEIGHT -			
2 PLC ±0.5 (0.02)		SIZE CAGE CODE DRAWING NO A3100779 435174			
3 PLC ±-		SCALE 2:1 SHEET 2 OF 3 REV H			
4 PLC ±-		CUSTOMER DRAWING			
ANGLES ±0°30'					
MATERIAL CASE: THERMOPLASTIC, COLOR NATURAL CONTACT: BERYLLIUM COPPER		FINISH ①			

AMP 1470-19 REV 11 JUN 97

18-SEP-98 12:39:06 amp45354 /home/amp45354/98-173

4

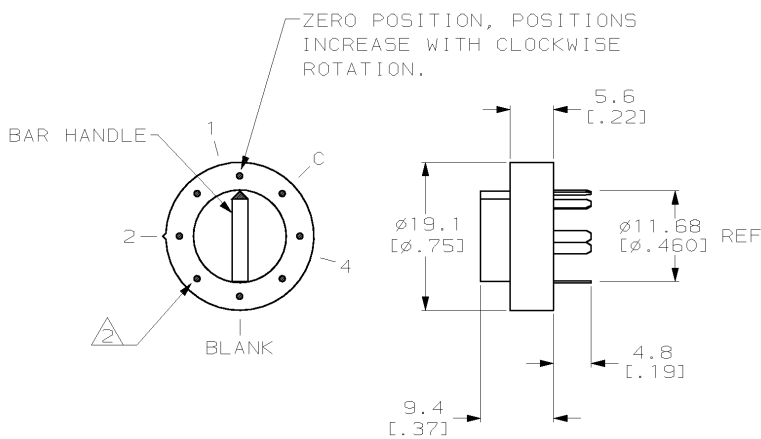
3

2

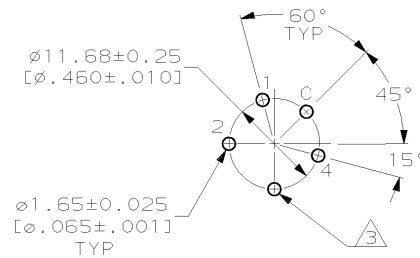
1

THIS DRAWING IS UNPUBLISHED. RELEASED FOR PUBLICATION .19
 © COPYRIGHT 19 BY AMP INCORPORATED. ALL RIGHTS RESERVED.

LOC	DIST	REVISIONS				
P	LTR	DESCRIPTION	DATE	DWN	APVD	
H		SEE SHEET 1	-	-	-	



- ① FINISH: SOLDER TAILS TIN PLATE 0.0051 [0.000200] MIN. THICK. CONTACT AREA 0.00076 [0.000030] MIN. HARD GOLD OVER 0.00127-0.00254 [0.000050-.000100] LOW STRESS NICKEL.
- ② POSITION MARKINGS $\varnothing 7.62$ [$\varnothing 0.30$], COLOR BLACK.
- ③ BLANK HOLE FOR MECHANICAL STABILITY OF SWITCH.



P.C. BOARD HOLE LAYOUT
SWITCH SIDE

SUPERSEDED BY 1-435174-1

		SWITCH POSITION							
		0	1	2	3	4	5	6	7
COMMON TO	1		●			●		●	●
	2			●	●			●	●
	3				●	●			●
	4						●	●	●

THIS DRAWING IS A CONTROLLED DOCUMENT.		DWN R. TALLEY 8-7-91	1-435174-3 PART NO	
DIMENSIONS: mm (INCHES)	TOLERANCES UNLESS OTHERWISE SPECIFIED:	CHK R. MILLER 8-7-91	AMP Incorporated Harrisburg, PA 17105-3608	
	0 PLC ±-	APVD D. HUFFMAN 8-9-91	NAME ROTARY SWITCH ASSY, 8 POSN, 6000 SERIES BCO	
	1 PLC ±-	PRODUCT SPEC 108-7514	SIZE CAGE CODE DRAWING NO	
	2 PLC ±0.5 (0.02)	APPLICATION SPEC 114-7005	A3100779 435174	
	3 PLC ±-	WEIGHT -	RESTRICTED TO	
	4 PLC ±-		-	
MATERIAL CASE: THERMOPLASTIC, COLOR NATURAL CONTACT: BERYLLIUM COPPER	FINISH ①	CUSTOMER DRAWING	SCALE 2:1 SHEET 3 OF 3 REV H	