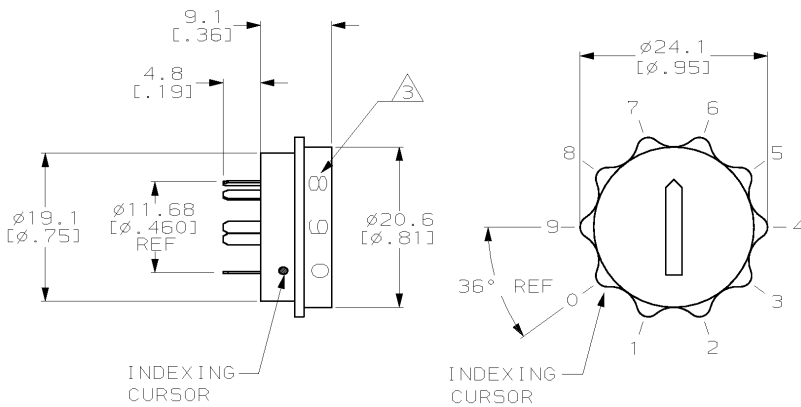
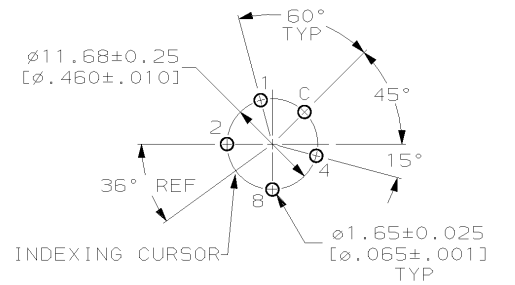


THIS DRAWING IS UNPUBLISHED. RELEASED FOR PUBLICATION .19  
 © COPYRIGHT 19 BY AMP INCORPORATED. ALL RIGHTS RESERVED.

LOC	DIST	REVISIONS			
P	LTR	DESCRIPTION	DATE	DWN	APVD
FT	69	F	REV PER EC 0650-0173-98	9-14-98	LM GR



- 1 MATERIAL; CASE-THERMOPLASTIC, COLOR NATURAL. WHEEL-THERMOPLASTIC, COLOR BLACK. CONTACT-BERYLLIUM COPPER
- 2 FINISH: SOLDER TAILS TIN PLATE 0.0051 [.000200] MIN. THICK. CONTACT AREA 0.00076 [.000030] MIN. HARD GOLD OVER 0.00127-0.00254 [.000050-.000100] LOW STRESS NICKEL.
- 3 CHARACTERS 2.3 [.09] HIGH, COLOR WHITE.



P.C. BOARD HOLE LAYOUT  
SWITCH SIDE

		SWITCH POSITION									
		0	1	2	3	4	5	6	7	8	9
COMMON TO	1		●		●		●		●		●
	2			●	●			●	●		
	4					●	●	●	●		
	8									●	●

435128-1  
PART NO

THIS DRAWING IS A CONTROLLED DOCUMENT.		DWN R. TALLEY 8-7-91	<b>AMP</b> AMP Incorporated Harrisburg, PA 17105-3608
DIMENSIONS: mm (INCHES)		CHK R. MILLER 8-7-91	
TOLERANCES UNLESS OTHERWISE SPECIFIED:		APVD D. HUFFMAN 8-9-91	NAME ROTARY SWITCH ASSY, 10 POSN, 6000 SERIES BCD
0 PLC ±-		PRODUCT SPEC	RESTRICTED TO
1 PLC ±-		108-7514	
2 PLC ±0.5 (.02)		APPLICATION SPEC	
3 PLC ±-		114-7005	SIZE CAGE CODE DRAWING NO
4 PLC ±-		WEIGHT -	A3100779 C- 435128
ANGLES ±0°30'		MATERIAL 1	SCALE 2:1 SHEET 1 OF 1 REV F
FINISH 2		CUSTOMER DRAWING	

AMP 1470-19 REV 11 JUN 97

18-SEP-98 16:13:29 amp45354 /home/amp45354/98-173