

C2/C3 - SERIES

SPECIFICATIONS AND ORDERING INFORMATION

0.82 / 1.2" WIDE 0.25 AMP @ 28 VDC

The C2/C3 Series offers an 8 position and a 12 position vertical P.C. board mountable design. Standard designs utilize a 30° index angle and polyester insulation.



SPECIFICATIONS

ELECTRICAL

Current and Voltage Rating: Make and break resistive load
0.25 amp @ 28 VDC; 0.1 amp @ 125 VAC.
Current Carrying Capacity: 6 amps.
Dielectric Strength: 1,000 VAC between current carrying parts and ground.
Contact Resistance: Average initial 30 milliohms.
Insulation Resistance: In excess of 10,000 megohms.

Hardware: Mounting nut and lockwasher are shipped assembled.

MECHANICAL

Materials and Finishes: All parts utilize non-corrosive materials as standard.
Terminals and Contacts: Brass with silver plate as standard.
Insulation: Polyester.
Index: Dual-ball, hill and valley.
Index Life: 25,000 cycles minimum.
Index Torque: Switches have lowest practical torque consistent with crisp detenting and smooth, reliable operation.
Index Angles: Positive 30° standard, 60°, and 90° available.
Index Stops: Fixed standard, adjustable, or continuous available.
Stop Strength: 8 in. lbs. minimum.

STANDARD PART NUMBER

C2 - 8 PIN CONSTRUCTION

SWITCHES - 30° INDEXING

ADJUSTABLE STOPS SET @ 2 POS. - P.C. TERMINALS

POLES	ACTIVE POSITIONS	POLES/ DECK	NO. OF DECKS	SHORTING	NON-SHORTING	FIG. *
01	02-08	1	1	C2P0108S - A	C2P0108N - A	CD
02	02-08	1	2	C2P0208S - A	C2P0208N - A	CD
02	02-04	2	1	C2P0204S - A	C2P0204N - A	CI
03	02-08	1	3	C2P0308S - A	C2P0308N - A	CD
04	02-04	2	2	C2P0404S - A	C2P0404N - A	CI
04	02-08	1	4	C2P0408S - A	C2P0408N - A	CD
05	02-08	1	5	C2P0508S - A	C2P0508N - A	CD
06	02-04	2	3	C2P0604S - A	C2P0604N - A	CI

C3 - 12 PIN CONSTRUCTION

SWITCHES - 30° INDEXING

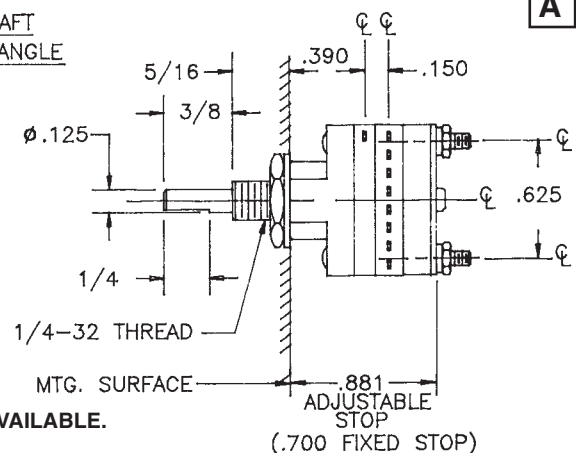
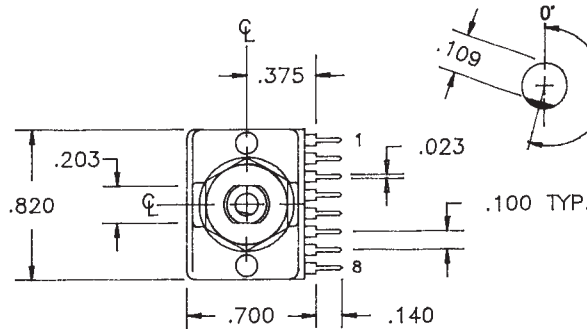
ADJUSTABLE STOPS SET @ 2 POS. - P.C. TERMINALS

POLES	ACTIVE POSITIONS	POLES/ DECK	NO. OF DECKS	SHORTING	NON-SHORTING	FIG. *
01	02-12	1	1	C3P0112S - A	C3P0112N - A	CA
02	02-12	1	2	C3P0212S - A	C3P0212N - A	CA
02	02-06	2	1	C3P0206S - A	C3P0206N - A	CH
03	02-04	3	1	C3P0304S - A	C3P0304N - A	CK
03	02-12	1	3	C3P0312S - A	C3P0312N - A	CA
04	02-06	2	2	C3P0406S - A	C3P0406N - A	CH
04	02-12	1	4	C3P0412S - A	C3P0412N - A	CA
06	02-04	3	2	C3P0604S - A	C3P0604N - A	CK

* FIGURES ARE SHOWN ON PAGE 55.

C2 - DIMENSIONS - 8 PIN DESIGN

C2P - STANDARD 8-PIN PER DECK ARRANGEMENT



NOTE:
1. ONE DECK EQUALS TWO WAFERS.
2. ADD .300" FOR EACH ADDITIONAL DECK.

1/4" DIAMETER SHAFTS ARE AVAILABLE.
CONTACT FACTORY.

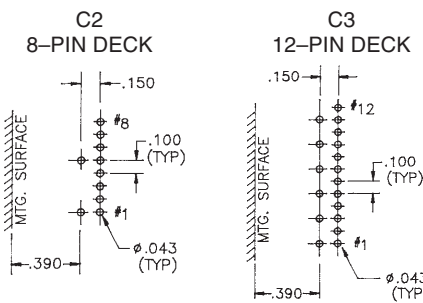
How to Order Additional Options:

2 DIGIT SERIES	INSULATION TYPE	TOTAL POLES	ACTIVE POSITIONS	CONTACT TYPE	TERMINAL TYPE	INDEX ANGLE	STOP TYPE	SHAFT/BUSHING	SHAFT FLAT
C2	P-POLYESTER	01 - MIN.	08 - MAX @ 30° 04 - MAX @ 60° 03 - MAX @ 90°	N - NON SHORTING S - SHORTING		30° 60° 90°	F - FIXED C - CONT. A - ADJ.	SEE CHART "A"	SEE CHART "B"
C3	P-POLYESTER	01 - MIN.	12 - MAX @ 30° 06 - MAX @ 60° 04 - MAX @ 90°	N - NON SHORTING S - SHORTING					

CUSTOMERS SPECIFIED ORDER NUMBER FOR STANDARD OPTIONS				ADDITIONAL OPTIONS			
<input type="text"/>	<input type="text"/>	<input type="text"/>	<input type="text"/>	<input type="text"/>	<input type="text"/>	<input type="text"/>	<input type="text"/>
	P	(SPECIFY)	(SPECIFY)	(SPECIFY)	(SPECIFY)	(SPECIFY)	(SPECIFY)

C

PRINTED CIRCUIT BOARD PATTERN



- NOTES:**
- The **standard** spacing for the 1/8" dia. shaft from the first row of terminals to the mounting surface is .390 in.
 - The **standard** spacing for the 1/4" dia. shaft from the first row of terminals to the mounting surface is .481 in.

SHAFT AND FLAT OPTIONS

P/N OPT	Shaft Lgth
01	1/4
02	3/8
03	1/2
04	9/16
05	3/4
06	7/8
07	1

P/N OPT	Shaft Lgth
08	1/4
09	3/8
10	1/2
11	9/16
12	3/4
13	7/8
14	1

P/N OPT.	FLAT ANGLE
U	15°
W	165°
Y	195°
Z	345°

SHAFT AS VIEWED WITH NON-TURN LUG AT 9 O'CLOCK AND SHAFT IN EXTREME CCW POSITION AND STRUT BOLTS ORIENTED VERTICALLY.

C3 - DIMENSIONS - 12 PIN DESIGN



CUSTOM SWITCHES ARE AVAILABLE. CONTACT THE FACTORY WITH YOUR COMPLETE SPECIFICATIONS.