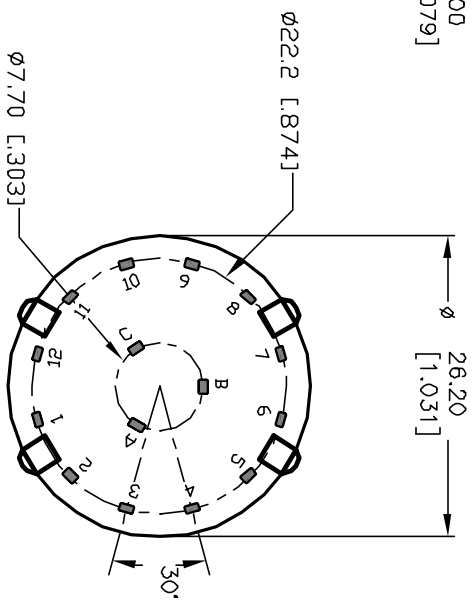
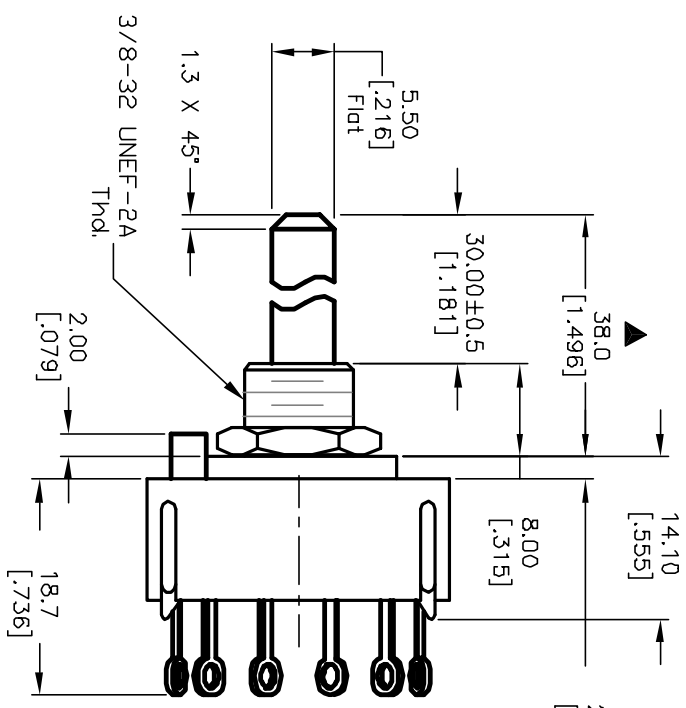
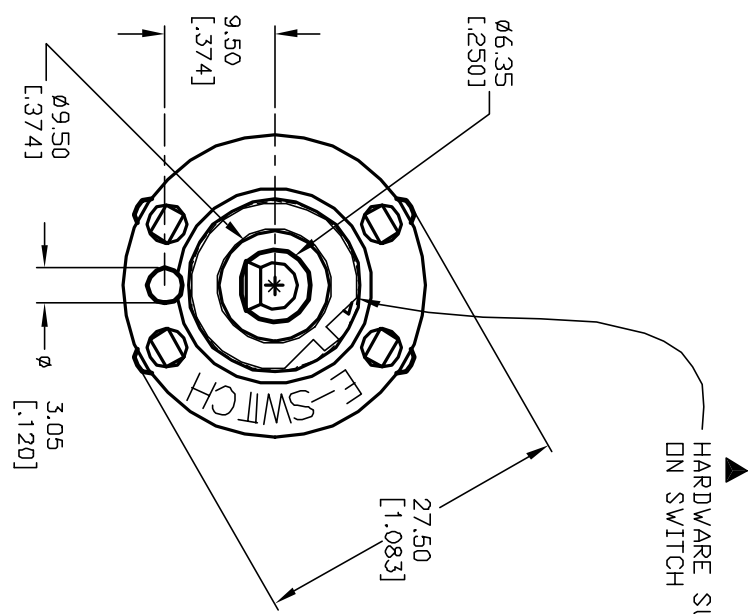
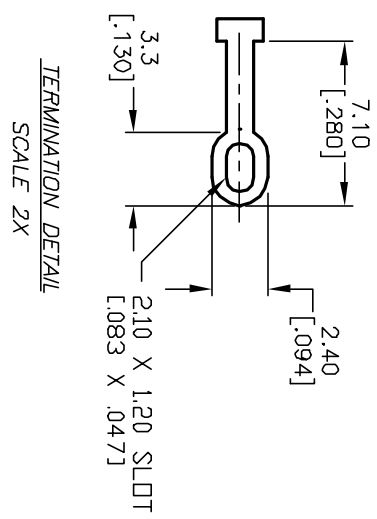
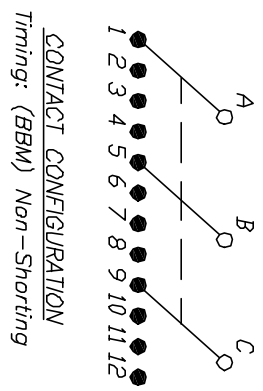


- NOTES:
1. ALL DIMENSION IN MM [INCH]
 2. GENERAL TOLERANCE: X.X=±0.4
X.XX=±0.25
 3. TERM. NOS. FOR REF. ONLY
 4. CONTACT RATING SWITCHING: 150mA, 250V AC/DC
350mA, 110V AC/DC
 5. OPERATING FORCE: 425±100 CM/STANDARD
 6. OPERATING TEMP: -30° to 85°C
 7. CIRCUIT 3P: 4 POSITIONS, 30° INDEX.
 8. DIELECTRIC STRENGTH: 1000V RMS min.@Sea Level
 9. DESIGNATE MAJOR DIMENSIONS
 10. HARDWARE SUPPLIED ON SWITCH - SEE BELOW
LOCKRING, LOCKWASHER, & HEX NUT.



D	12821	REVISED NOTE 10	2/18/03	CJB	<h1 style="text-align: center;">E-SWITCH®</h1> <p style="text-align: center;">TITLE KC-34-A-(30.0mm) 01-N-L-S</p>	SCALE	DATE	DR	DWG	REV
C	12394	REV PER NEW CATALOG	9/16/02	CJB		1.5:1	3/7/01	CJB	G510260	D
B	11281	REVISED ACTUATOR	10/5/01	CJB						
REV.	ECN No.	DESCRIPTION	DATE	CHKD						
THE INFORMATION CONTAINED IN THIS DOCUMENT IS PROPRIETARY TO E-SWITCH AND ITS NOT TO BE COPIED OR TRANSFERRED										