

4

3

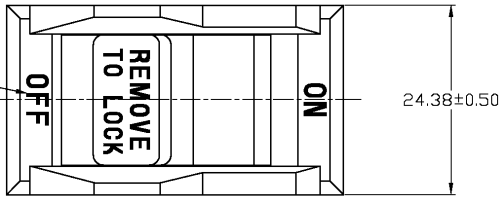
2

1

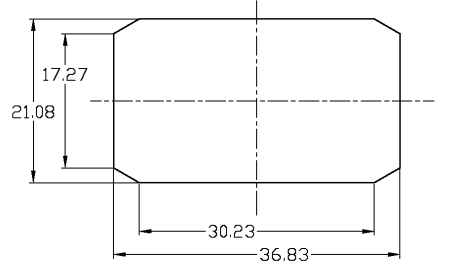
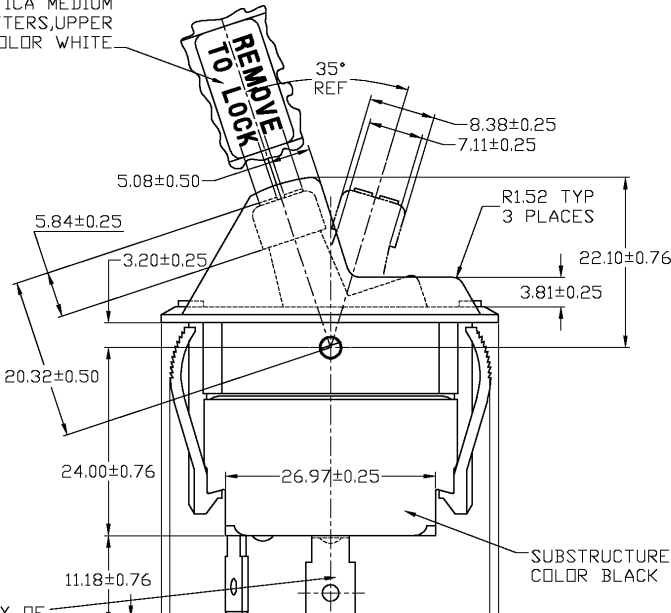
THIS DRAWING IS UNPUBLISHED. RELEASED FOR PUBLICATION
 © COPYRIGHT - BY TYCO ELECTRONICS CORPORATION. ALL RIGHTS RESERVED.

LOC	DIST	REVISIONS			
P	LTR	DESCRIPTION	DATE	DWN	APVD
C		FBCG-0021-04	28APR04	N.W	M.S

WORD "ON" AND "OFF"
 12 PT HELVETICA
 MEDIUM RAISED LETTERS,
 UPPER CASE, COLOR WHITE



WORDS "REMOVE TO LOCK"
 8 PT HELVETICA MEDIUM
 RAISED LETTERS, UPPER
 CASE, COLOR WHITE



RECOMMENDED PANEL OPENING

LEVER COLOR RED
 SATIN FINISH
 SUPERSTRUCTURE COLOR
 BLACK, SATIN FINISH

THIS DRAWING IS A CONTROLLED DOCUMENT.		DWN	N.WANG	28APR04	 Tyco Electronics Corporation Shanghai, CHINA
DIMENSIONS:		CHK	C.YUE	28APR04	
mm		APVD	M.SHINDO	28APR04	
TOLERANCES UNLESS OTHERWISE SPECIFIED:		NAME	SELF-LOCKING ROCKER SWITCH (SAFETY SWITCH) WITH PALM GUARD		
0 PLC	±	APPLICATION SPEC	20A 125-277VAC, 2 HP 250VAC, 1HP 125VAC, SPST		
1 PLC	±	SIZE	A3	00779	RESTRICTED TO
2 PLC	±	WEIGHT	C=1541150		
3 PLC	±	CUSTOMER DRAWING	SCALE - SHEET 1 OF 8 REV C		
4 PLC	±				
ANGLES	±				
MATERIAL					
FINISH					

90-6406	
TYCO P/N	ARAB NO.
1541150-1	8166K23

4

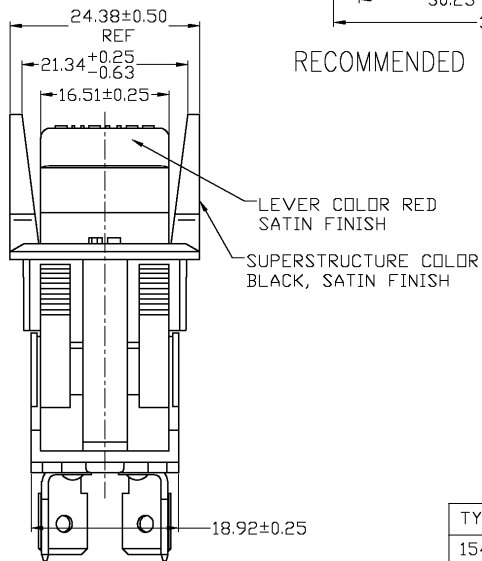
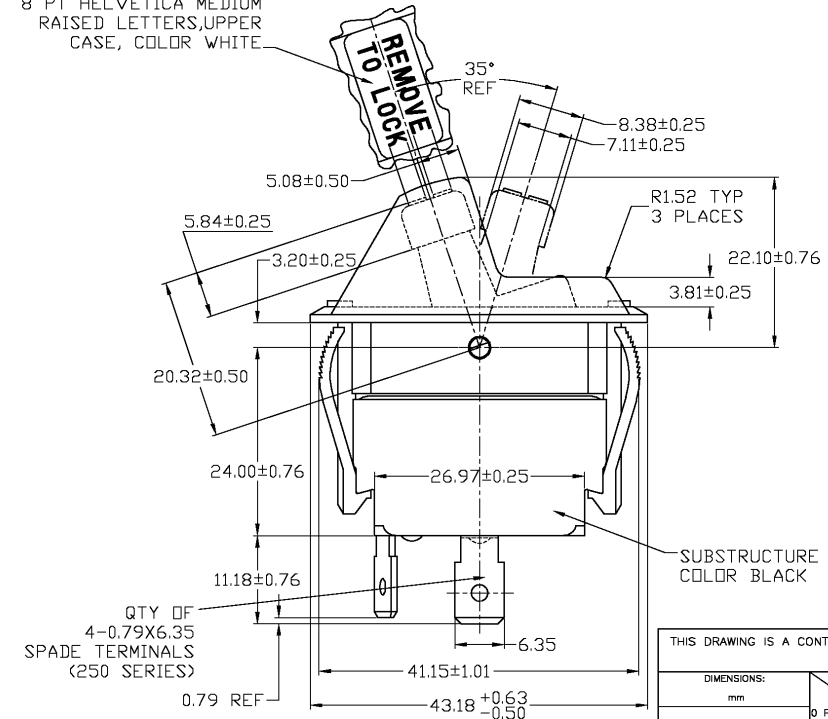
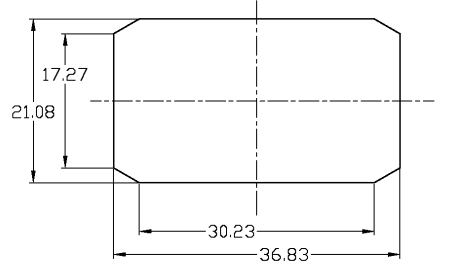
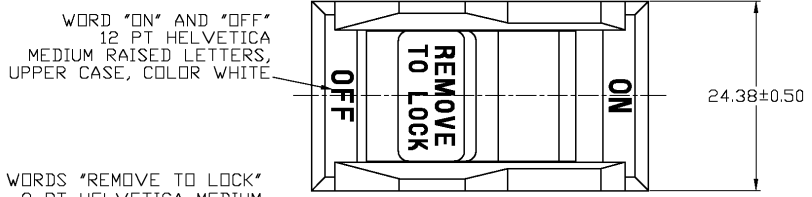
3

2

1

THIS DRAWING IS UNPUBLISHED. RELEASED FOR PUBLICATION
 © COPYRIGHT BY TYCO ELECTRONICS CORPORATION. ALL RIGHTS RESERVED.

LOC	DIST	REVISIONS			
P	LTR	DESCRIPTION	DATE	DWN	APVD
ES	-	SEE SHEET 1	-	-	-



90-6406	TYCO P/N	ARAB NO.
1541150-2	8166K21	

THIS DRAWING IS A CONTROLLED DOCUMENT.

DWN	N.WANG	28APR04
CHK	C.YUE	28APR04
APVD	M.SHINDO	28APR04

TOLERANCES UNLESS OTHERWISE SPECIFIED:

0	PLC	±
1	PLC	±
2	PLC	±
3	PLC	±
4	BCC	±
	ANGLES	±

MATERIAL: - FINISH: -

NAME: **Tyco Electronics** Tyco Electronics Corporation Shanghai, CHINA

PRODUCT SPEC: SELF-LOCKING ROCKER SWITCH (SAFETY SWITCH) WITH PALM GUARD

APPLICATION SPEC: 20A 125-277VAC, 2 HP 250VAC, 1HP 125VAC, DPST

SIZE: A3 CAGE CODE: 00779 DRAWING NO: 1541150 RESTRICTED TO: -

WEIGHT: -

CUSTOMER DRAWING SCALE: - SHEET: 2 OF 8 REV: C

AMP 1470-19 REV 31MAR2000

4

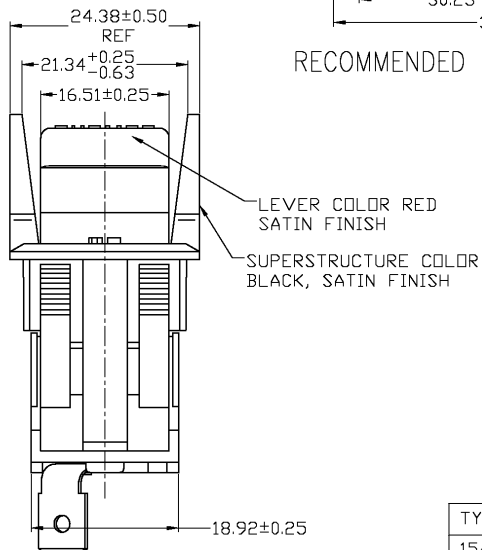
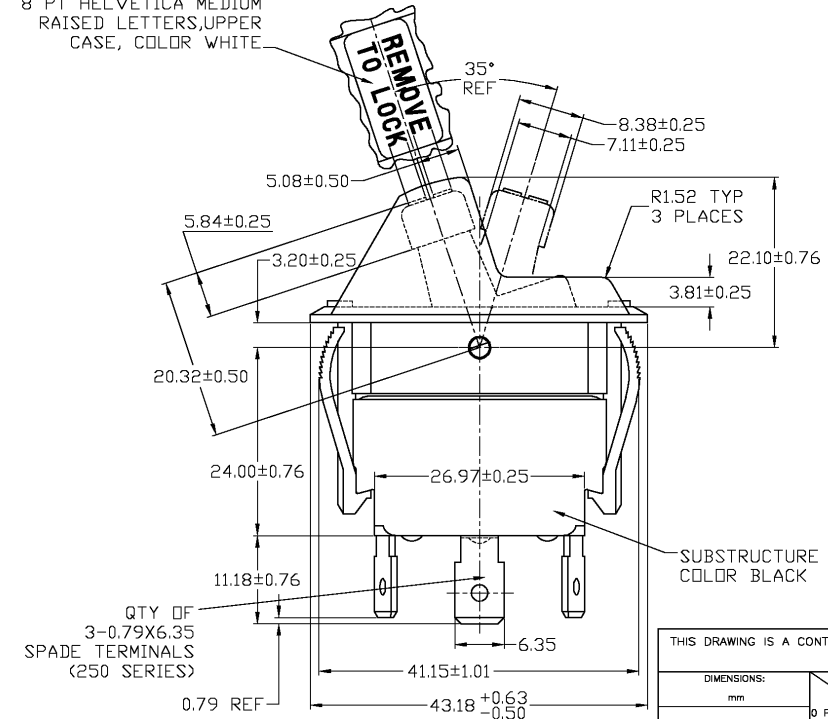
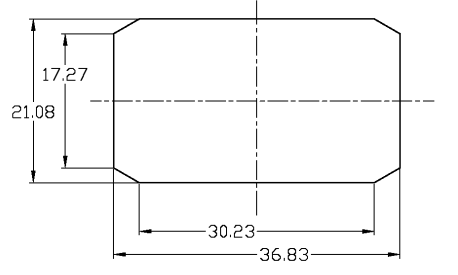
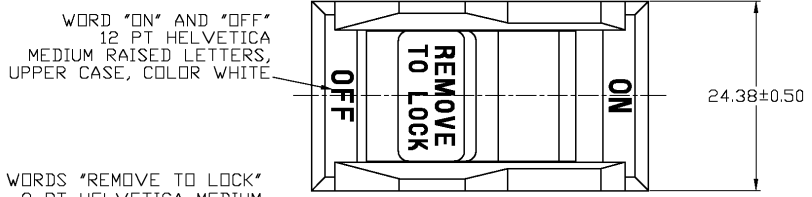
3

2

1

THIS DRAWING IS UNPUBLISHED. RELEASED FOR PUBLICATION
 © COPYRIGHT BY TYCO ELECTRONICS CORPORATION. ALL RIGHTS RESERVED.

LOC	DIST	REVISIONS			
P	LTR	DESCRIPTION	DATE	DWN	APVD
ES	-	SEE SHEET 1	-	-	-



90-6406	TYCO P/N	ARAB NO.
1541150-4	8166K24	

THIS DRAWING IS A CONTROLLED DOCUMENT.

DWN	N.WANG	28APR04	 Tyco Electronics Corporation Shanghai, CHINA
CHK	C.YUE	28APR04	
APVD	M.SHINDO	28APR04	
PRODUCT SPEC			
NAME	SELF-LOCKING ROCKER SWITCH (SAFETY SWITCH) WITH PALM GUARD		
APPLICATION SPEC	20A 125-277VAC, 2 HP 250VAC, 1HP 125VAC, SPDT		
SIZE	CAGE CODE	DRAWING NO	RESTRICTED TO
A3	00779	1541150	
CUSTOMER DRAWING	SCALE	SHEET	REV
		3 OF 8	C

AMP 1470-19 REV 31MAR2000

4

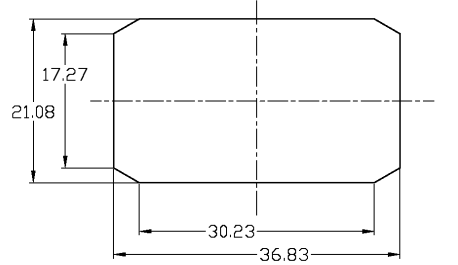
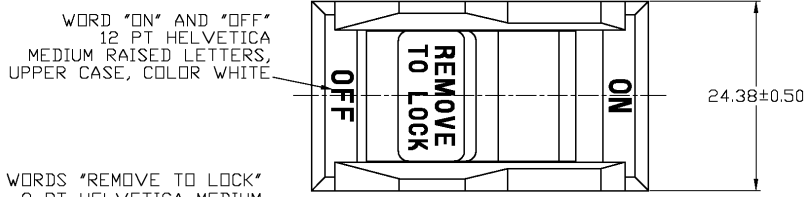
3

2

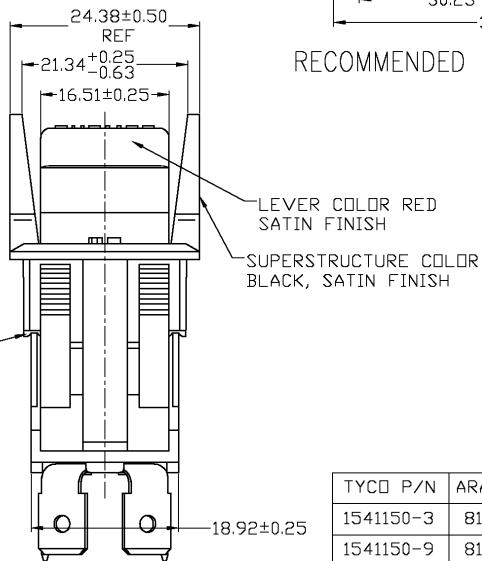
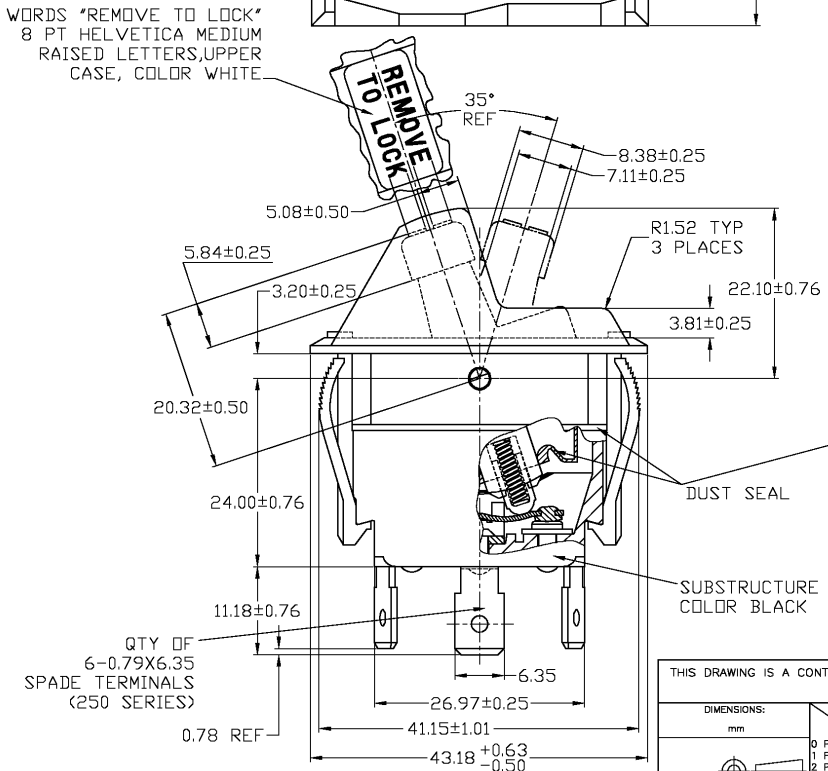
1

THIS DRAWING IS UNPUBLISHED. RELEASED FOR PUBLICATION
 © COPYRIGHT - BY TYCO ELECTRONICS CORPORATION. ALL RIGHTS RESERVED.

LOC	DIST	REVISIONS			
P	LTR	DESCRIPTION	DATE	DWN	APVD
ES	-	SEE SHEET 1	-	-	-



RECOMMENDED PANEL OPENING



		90-6406
TYCO P/N	ARAB NO.	DUST SEAL
1541150-3	8166K22	NO
1541150-9	8166K29	YES

THIS DRAWING IS A CONTROLLED DOCUMENT.

DIMENSIONS:	TOLERANCES UNLESS OTHERWISE SPECIFIED:	DWN	28APR04	 Tyco Electronics Corporation Shanghai, CHINA
mm		CHK	28APR04	
		APVD	28APR04	
		NAME		
		PRODUCT SPEC		SELF-LOCKING ROCKER SWITCH (SAFETY SWITCH) WITH PALM GUARD 20A 125-277VAC, 2 HP 250VAC, 1HP 125VAC, DPDT
MATERIAL	FINISH	APPLICATION SPEC		SIZE CAGE CODE DRAWING NO RESTRICTED TO A3 00779 C-1541150
		WEIGHT		CUSTOMER DRAWING
				SCALE - SHEET 4 OF 8 REV C

AMP 1470-19 REV 31MAR2000

4

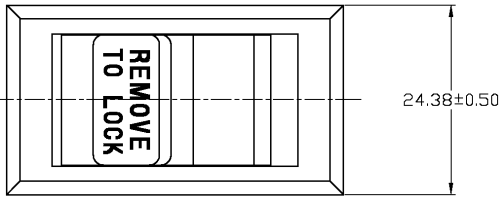
3

2

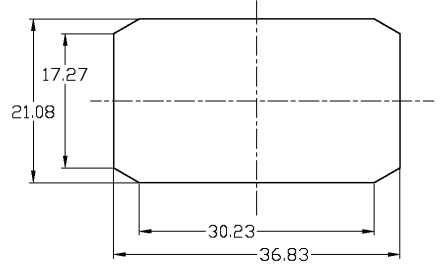
1

THIS DRAWING IS UNPUBLISHED. RELEASED FOR PUBLICATION
 © COPYRIGHT - BY TYCO ELECTRONICS CORPORATION. ALL RIGHTS RESERVED.

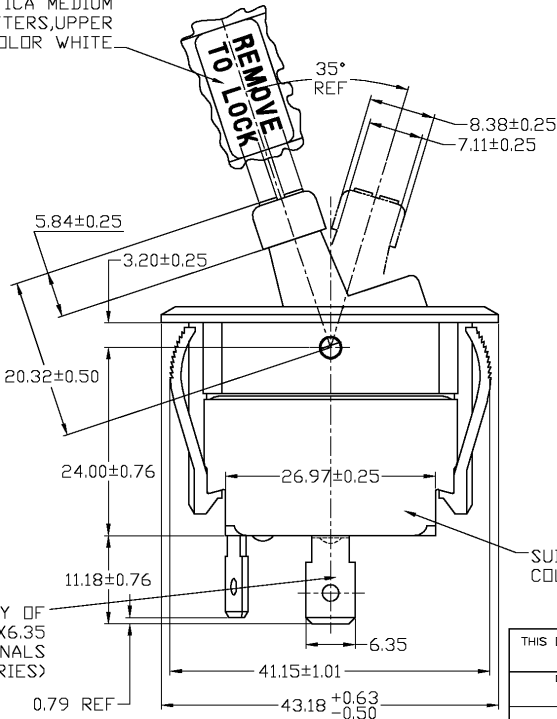
LOC	DIST	REVISIONS			
P	LTR	DESCRIPTION	DATE	DWN	APVD
ES	-	SEE SHEET 1	-	-	-



WORDS "REMOVE TO LOCK"
 8 PT HELVETICA MEDIUM
 RAISED LETTERS, UPPER
 CASE, COLOR WHITE

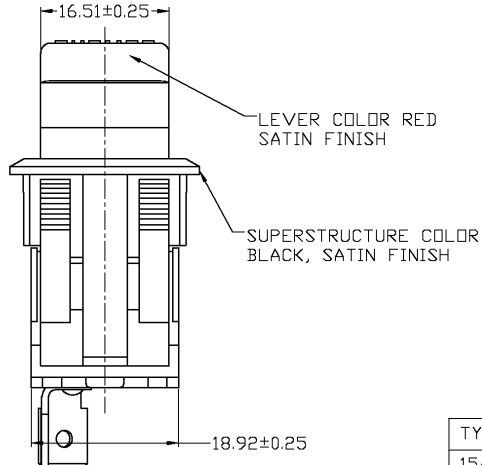


RECOMMENDED PANEL OPENING



QTY OF
 2-0.79X6.35
 SPADE TERMINALS
 (250 SERIES)

SUBSTRUCTURE
 COLOR BLACK



LEVER COLOR RED
 SATIN FINISH

SUPERSTRUCTURE COLOR
 BLACK, SATIN FINISH

90-6406	TYCO P/N	ARAB NO.
1541150-7	8166K27	

THIS DRAWING IS A CONTROLLED DOCUMENT.		DWN	N.WANG	28APR04	 Tyco Electronics Corporation Shanghai, CHINA																	
DIMENSIONS: mm		CHK	C.YUE	28APR04																		
TOLERANCES UNLESS OTHERWISE SPECIFIED:		APVD	M.SHINDO	28APR04																		
<table border="1"> <tr><td>0</td><td>PLC</td><td>±</td></tr> <tr><td>1</td><td>PLC</td><td>±</td></tr> <tr><td>2</td><td>PLC</td><td>±</td></tr> <tr><td>3</td><td>PLC</td><td>±</td></tr> <tr><td>4</td><td>BCC</td><td>±</td></tr> <tr><td></td><td>ANGLES</td><td>±</td></tr> </table>		0	PLC	±		1	PLC	±	2	PLC	±	3	PLC	±	4	BCC	±		ANGLES	±	NAME	SELF-LOCKING ROCKER SWITCH (SAFETY SWITCH) WITHOUT PALM GUARD
0	PLC	±																				
1	PLC	±																				
2	PLC	±																				
3	PLC	±																				
4	BCC	±																				
	ANGLES	±																				
MATERIAL		APPLICATION SPEC	20A 125-277VAC, 2 HP 250VAC, 1HP 125VAC, SPST																			
FINISH		WEIGHT	SIZE	A3	CAGE CODE	DRAWING NO	1541150	RESTRICTED TO														
		CUSTOMER DRAWING	SCALE	-	SHEET	5	OF	8														
								REV														
								C														

AMP 1470-19 REV 31MAR2000

4

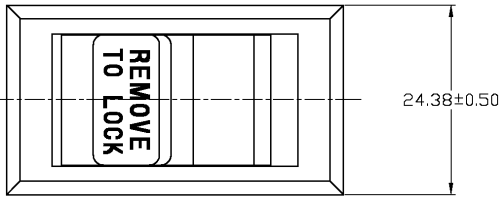
3

2

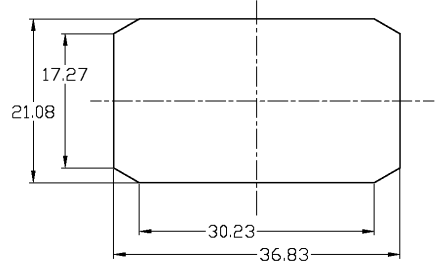
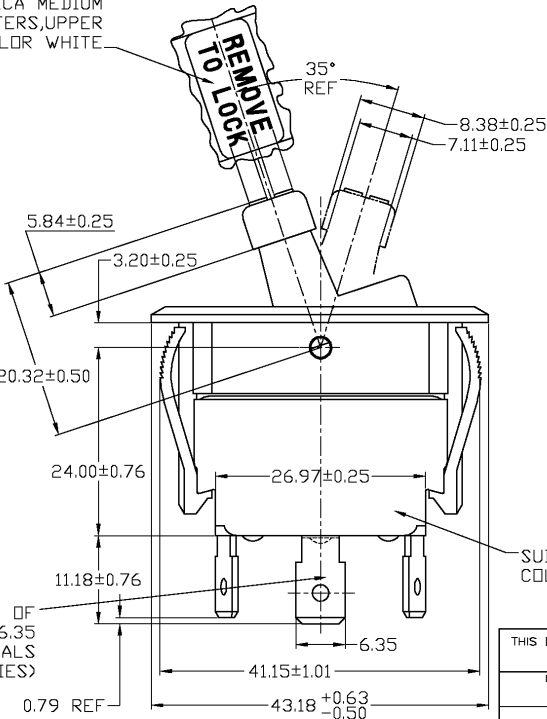
1

THIS DRAWING IS UNPUBLISHED. RELEASED FOR PUBLICATION
 © COPYRIGHT BY TYCO ELECTRONICS CORPORATION. ALL RIGHTS RESERVED.

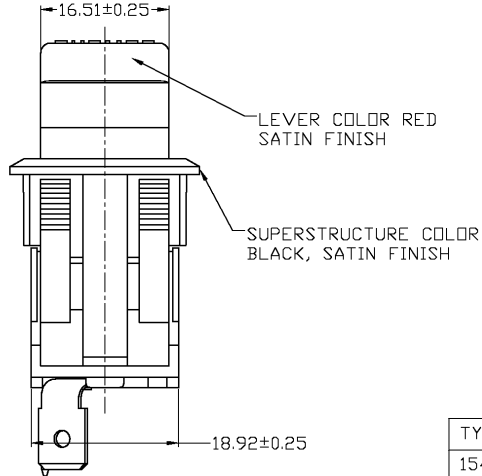
LOC	DIST	REVISIONS			
P	LTR	DESCRIPTION	DATE	DWN	APVD
ES	-	SEE SHEET 1	-	-	-



WORDS "REMOVE TO LOCK"
 8 PT HELVETICA MEDIUM
 RAISED LETTERS, UPPER
 CASE, COLOR WHITE



RECOMMENDED PANEL OPENING



LEVER COLOR RED SATIN FINISH

SUBSTRUCTURE COLOR BLACK SATIN FINISH

THIS DRAWING IS A CONTROLLED DOCUMENT.		DWN	N.WANG	28APR04	 Tyco Electronics Corporation Shanghai, CHINA
DIMENSIONS: mm		CHK	C.YUE	28APR04	
TOLERANCES UNLESS OTHERWISE SPECIFIED: 0 PLC ±- 1 PLC ±- 2 PLC ±- 3 PLC ±- 4 PLC ±- BCC ±- ANGLES ±-		APVD	M.SHINDO	28APR04	
MATERIAL		NAME	SELF-LOCKING ROCKER SWITCH (SAFETY SWITCH) WITHOUT PALM GUARD 20A 125-277VAC, 2 HP 250VAC, 1HP 125VAC, SPDT SIZE CAGE CODE DRAWING NO RESTRICTED TO A3 00779 C-1541150		
FINISH		APPLICATION SPEC	WEIGHT CUSTOMER DRAWING		90-6406 TYCO P/N ARAB NO. 1541150-8 8166K28
SCALE		SHEET		6	8
REV		C			

AMP 1470-19 REV 31MAR2000

4

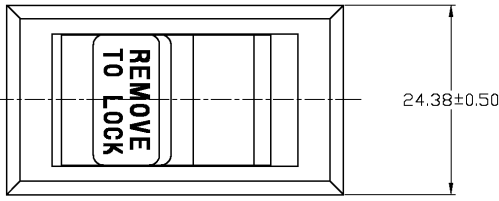
3

2

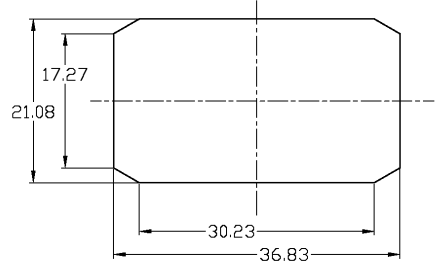
1

THIS DRAWING IS UNPUBLISHED. RELEASED FOR PUBLICATION
 © COPYRIGHT BY TYCO ELECTRONICS CORPORATION. ALL RIGHTS RESERVED.

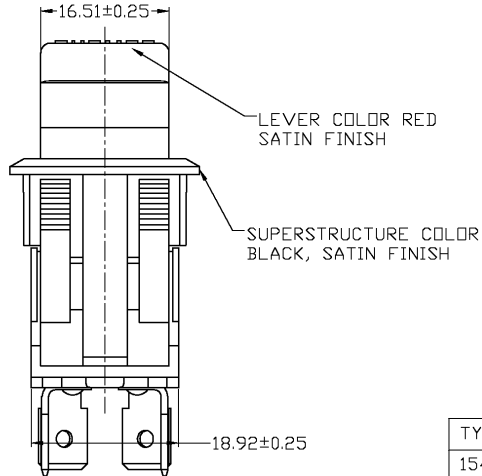
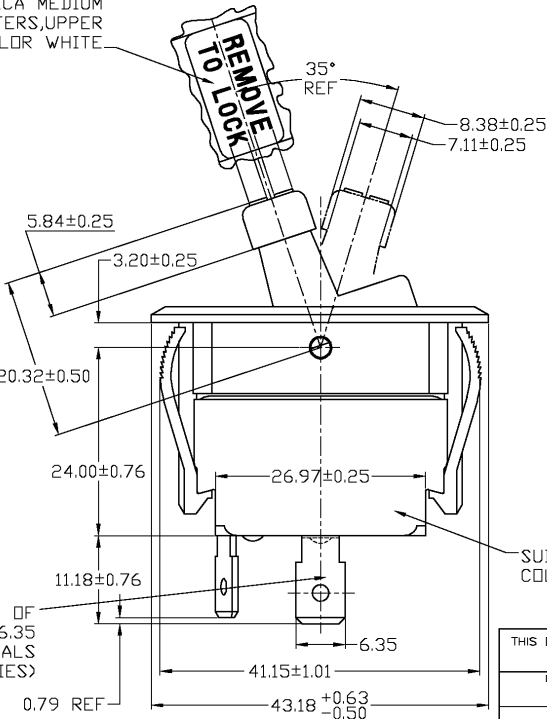
LOC	DIST	REVISIONS			
P	LTR	DESCRIPTION	DATE	DWN	APVD
ES	-	SEE SHEET 1	-	-	-



WORDS "REMOVE TO LOCK"
 8 PT HELVETICA MEDIUM
 RAISED LETTERS, UPPER
 CASE, COLOR WHITE



RECOMMENDED PANEL OPENING



LEVER COLOR RED
 SATIN FINISH

SUPERSTRUCTURE COLOR
 BLACK, SATIN FINISH

SUBSTRUCTURE
 COLOR BLACK

90-6406	TYCO P/N	ARAB NO.
1541150-5	8166K25	

THIS DRAWING IS A CONTROLLED DOCUMENT.		DWN	N.WANG	28APR04	 Tyco Electronics Corporation Shanghai, CHINA																	
DIMENSIONS: mm		CHK	C.YUE	28APR04																		
TOLERANCES UNLESS OTHERWISE SPECIFIED:		APVD	M.SHINDO	28APR04																		
<table border="1"> <tr><td>0</td><td>PLC</td><td>±</td></tr> <tr><td>1</td><td>PLC</td><td>±</td></tr> <tr><td>2</td><td>PLC</td><td>±</td></tr> <tr><td>3</td><td>PLC</td><td>±</td></tr> <tr><td>4</td><td>BCC</td><td>±</td></tr> <tr><td>5</td><td>ANGLES</td><td>±</td></tr> </table>		0	PLC	±		1	PLC	±	2	PLC	±	3	PLC	±	4	BCC	±	5	ANGLES	±	NAME	SELF-LOCKING ROCKER SWITCH (SAFETY SWITCH) WITHOUT PALM GUARD
0	PLC	±																				
1	PLC	±																				
2	PLC	±																				
3	PLC	±																				
4	BCC	±																				
5	ANGLES	±																				
MATERIAL		APPLICATION SPEC	20A 125-277VAC, 2 HP 250VAC, 1HP 125VAC, DPST																			
FINISH		WEIGHT	SIZE	A3	CAGE CODE	DRAWING NO.	RESTRICTED TO															
		CUSTOMER DRAWING		SCALE	SHEET	7	8															
							REV															
							C															

AMP 1470-19 REV 31MAR2000

4

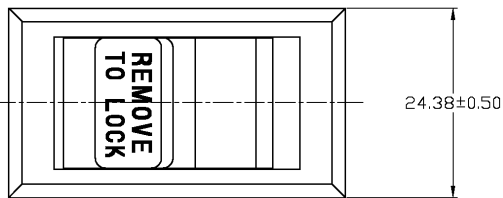
3

2

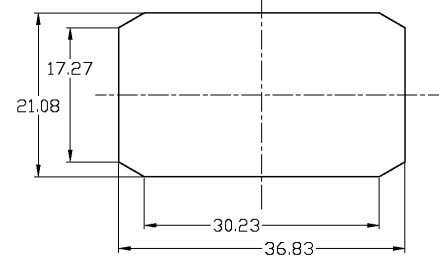
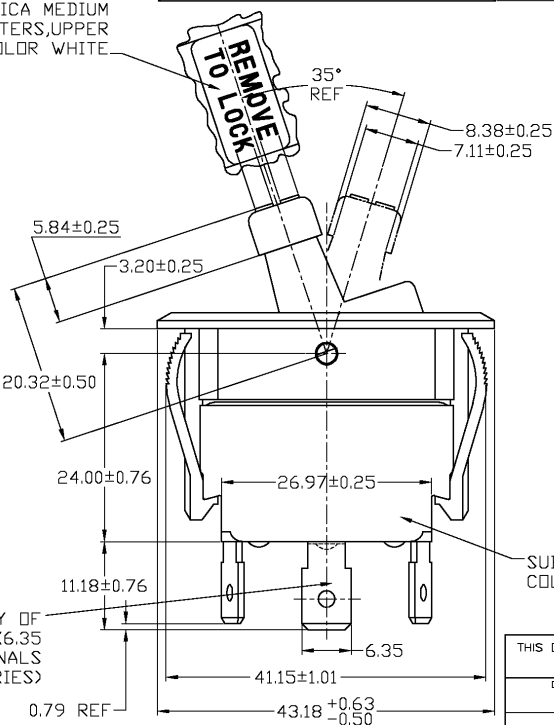
1

THIS DRAWING IS UNPUBLISHED. RELEASED FOR PUBLICATION
 © COPYRIGHT BY TYCO ELECTRONICS CORPORATION. ALL RIGHTS RESERVED.

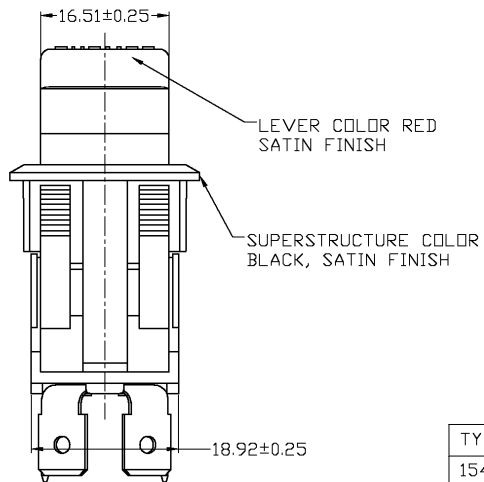
LOC	DIST	REVISIONS			
P	LTR	DESCRIPTION	DATE	DWN	APVD
ES	-	SEE SHEET 1	-	-	-



WORDS "REMOVE TO LOCK"
 8 PT HELVETICA MEDIUM
 RAISED LETTERS, UPPER
 CASE, COLOR WHITE



RECOMMENDED PANEL OPENING



90-6406	TYCO P/N	ARAB NO.
1541150-6	8166K26	

THIS DRAWING IS A CONTROLLED DOCUMENT.		DWN	N.WANG	28APR04	 Tyco Electronics Corporation Shanghai, CHINA																	
DIMENSIONS: mm		CHK	C.YUE	28APR04																		
TOLERANCES UNLESS OTHERWISE SPECIFIED:		APVD	M.SHINDO	28APR04																		
<table border="1"> <tr><td>0</td><td>PLC</td><td>±</td></tr> <tr><td>1</td><td>PLC</td><td>±</td></tr> <tr><td>2</td><td>PLC</td><td>±</td></tr> <tr><td>3</td><td>PLC</td><td>±</td></tr> <tr><td>4</td><td>BCC</td><td>±</td></tr> <tr><td>5</td><td>ANGLES</td><td>±</td></tr> </table>		0	PLC	±		1	PLC	±	2	PLC	±	3	PLC	±	4	BCC	±	5	ANGLES	±	NAME	SELF-LOCKING ROCKER SWITCH (SAFETY SWITCH) WITHOUT PALM GUARD
0	PLC	±																				
1	PLC	±																				
2	PLC	±																				
3	PLC	±																				
4	BCC	±																				
5	ANGLES	±																				
MATERIAL		APPLICATION SPEC	20A 125-277VAC, 2 HP 250VAC, 1HP 125VAC, DPDT																			
FINISH		WEIGHT	SIZE	A3	CAGE CODE	DRAWING NO	RESTRICTED TO															
		CUSTOMER DRAWING		SCALE	SHEET	8	OF	8														
								REV	C													