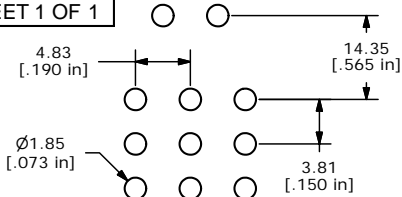
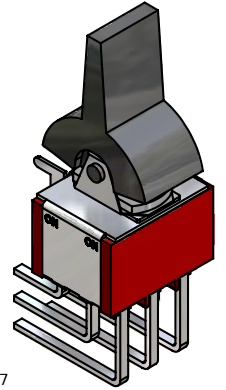
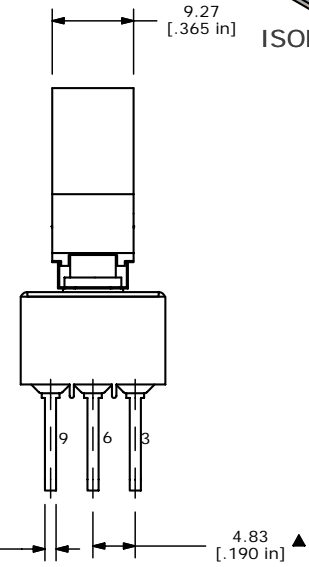
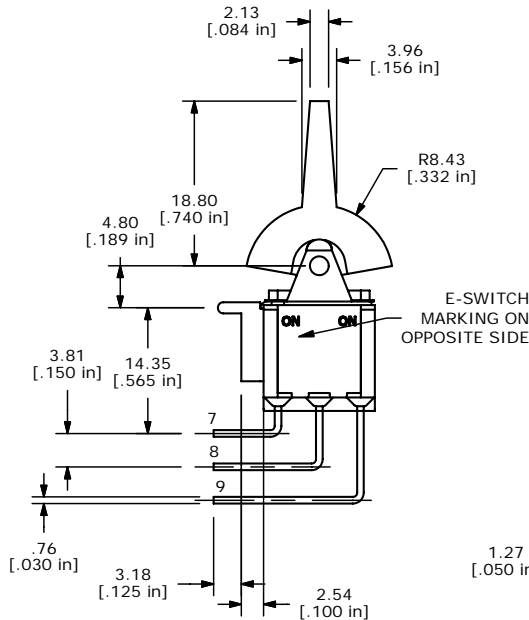
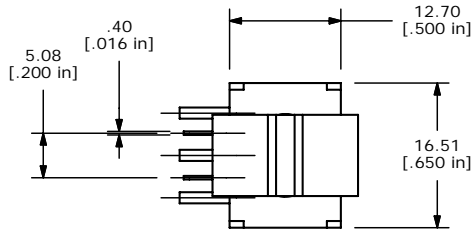
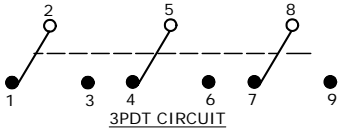


SHEET 1 OF 1



P.C. MOUNTING

SWITCH FUNCTION		
POS. 1	POS. 2	POS. 3
ON	OFF	(ON)
2-3, 5-6, 8-9	OPEN	2-1, 5-4, 8-7



ISOMETRIC

- NOTE:
1. ALL DIMENSIONS IN MM [INCH]
 2. GENERAL TOLERANCE: X.X=±0.4
X.XX=±0.25
 3. TERMINAL NUMBERS FOR REF ONLY
 4. PLATING MATERIAL: SILVER
 5. RATING: 2 AMPS @250VAC
5 AMPS @120VAC OR 28VDC
 6. ELECTRIC LIFE: 40,000 MAKE-AND-BREAK CYCLES AT FULL LOAD.
 7. INSULATION RESISTANCE: 1,000 MEGA-OHM MIN.
 8. CONTACT RESISTANCE: 100mA
 9. DIELECTRIC STRENGTH: 1,000 V RMS @SEA LEVEL.
 10. OPERATING TEMP.: -30°C to 85°C
 11. ▲DENOTES CRITICAL PARAMETER.
 12. 2002/95/EC (ROHS) COMPLIANT

D	15970	3.81 DIM. WAS 4.70	4/18/06	CT
C	15897	EDIT SWITCH FUNCTION, MOUNTING DIM	3/24/06	PH
B	15563	REVISE REDRAWN	11/28/05	PH
REV	PCR NO	DESCRIPTION	DATE	BY

THE INFORMATION CONTAINED IN THIS DOCUMENT IS PROPRIETARY TO E-SWITCH AND IS NOT TO BE COPIED OR TRANSFERRED

E-SWITCH®

TITLE 3003P5J2BLKM7QE

SCALE 1.5	DATE 11/28/2005	DR PH	DWG T335000	REV D
-----------	-----------------	-------	-------------	-------