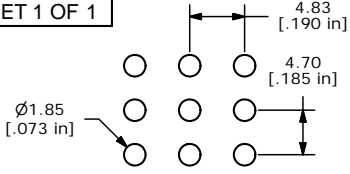
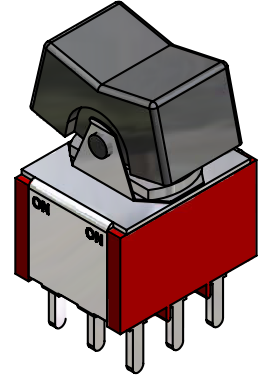
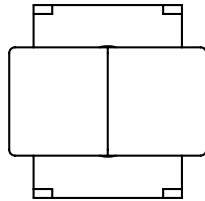
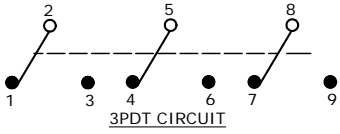


SHEET 1 OF 1

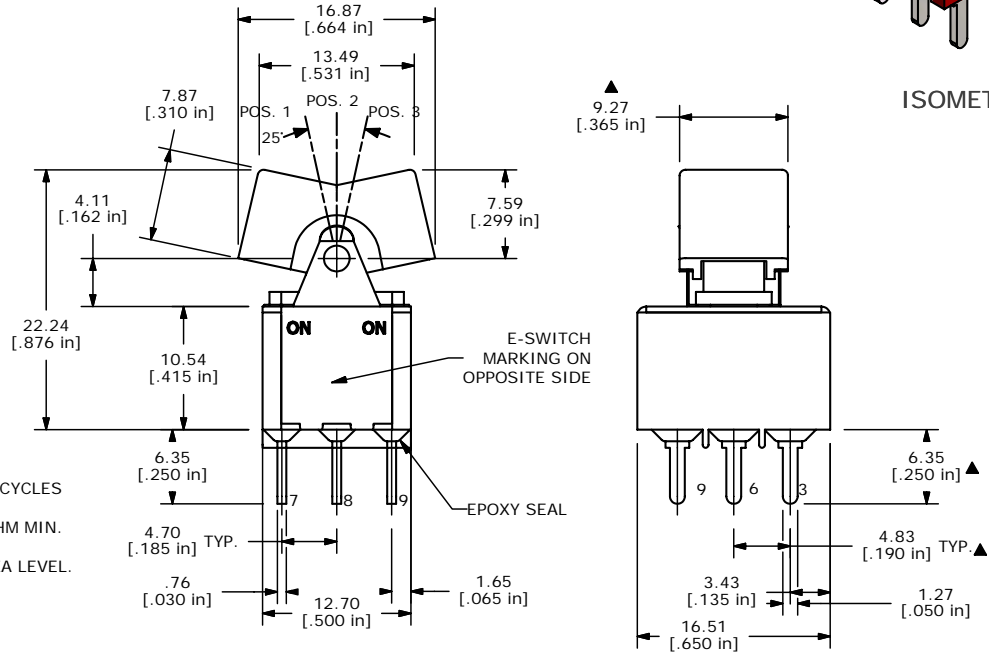


P.C. MOUNTING

SWITCH FUNCTION		
POS. 1	POS. 2	POS. 3
ON	OFF	ON
8-9	OPEN	8-7



ISOMETRIC



- NOTE:
1. ALL DIMENSIONS IN MM [INCH]
  2. GENERAL TOLERANCE: X.X=±0.4  
X.XX=±0.25
  3. TERMINAL NUMBERS FOR REF ONLY
  4. PLATING MATERIAL: SILVER
  5. RATING: 2 AMPS @250VAC  
5 AMPS @120VAC OR 28VDC
  6. ELECTRIC LIFE: 40,000 MAKE-AND-BREAK CYCLES AT FULL LOAD.
  7. INSULATION RESISTANCE: 1,000 MEGA-OHM MIN.
  8. CONTACT RESISTANCE: 100mA
  9. DIELECTRIC STRENGTH: 1,000 V RMS @SEA LEVEL.
  10. OPERATING TEMP.: -30°C to 85°C
  11. ▲ DENOTES CRITICAL PARAMETER.

**E-SWITCH®**

B	15300	ADDED DIMENSIONS	9/20/05	PH
A	15231	RELEASED FOR PRODUCTION	9/2/05	PH
REV	PCR NO	DESCRIPTION	DATE	BY

TITLE 3003P3J1BLKM2QE				
SCALE 2:1	DATE 9/20/2005	DR PH	DWG T331029	REV B

THE INFORMATION CONTAINED IN THIS DOCUMENT IS PROPRIETARY TO E-SWITCH AND IS NOT TO BE COPIED OR TRANSFERRED