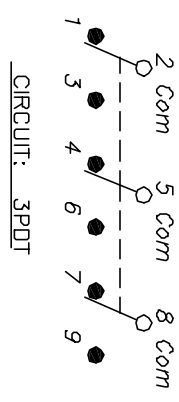


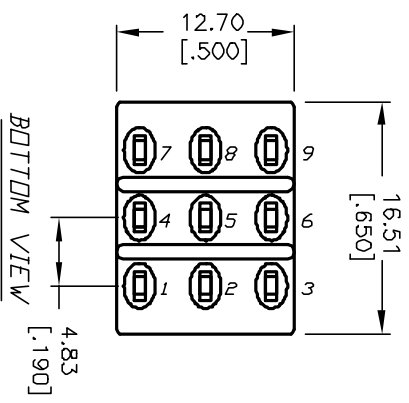
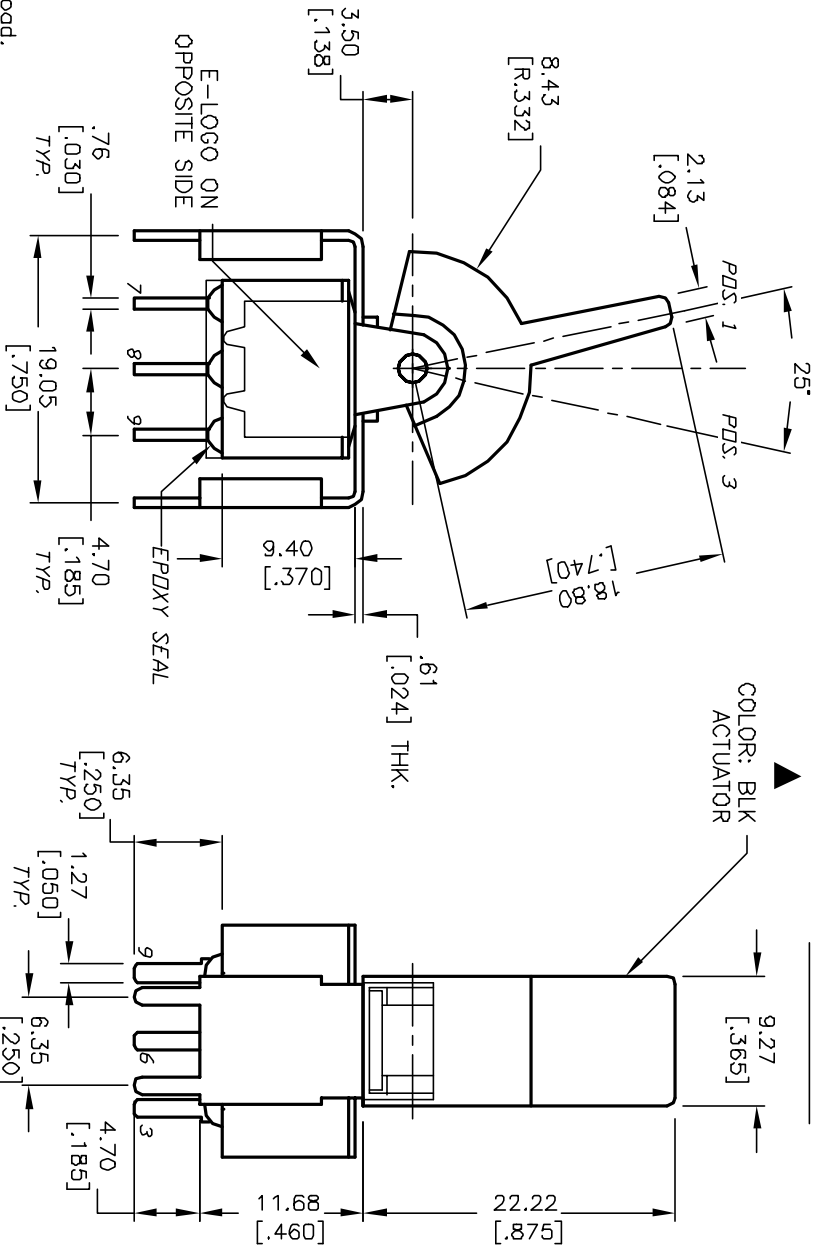
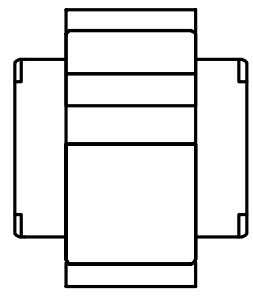
RECOMMENDED PANEL MOUNTING



SWITCH FUNCTION		
PDS. 1	PDS. 2	PDS. 3
DN	NONE	(DN)
2-3,5-6,8-9	DPEN	2-1,5-4,8-7

NOTES: () = MOMENTARY

1. ALL DIMENSIONS IN MM [INCH]
2. GENERAL TOLERANCE: X.X=±0.4; X.XX=±0.25
3. TERM. NOS. FOR REF. ONLY
4. CONTACT RATING: 5A @120VAC or 28VDC; 2A @250VAC
5. FIXED TERM/MOVING CONTACT: COPPER ALLOY W/SILVER PLATE.
6. ELECTRICAL LIFE: 50,000 make-and-break cycles at full load.
7. INSULATION RESISTANCE: 1,000M ohm min.
8. DIELECTRIC STRENGTH: 1,000 V RMS @sec level
9. OPERATION TEMP.: -30°C to +85°C
10. ▲ DENOTES CRITICAL PARAMETER.



BOTTOM VIEW

▲ COLOR: BLK ACTUATOR

REV.	ECN No.	DESCRIPTION	DATE	CHKD
A	12954	RELEASED FOR PRODUCTION	3/25/03	AR

TITLE	SCALE	DATE	DR	DWG	REV
3003P2J2BLKM2QE	2:1	3/25/03	AR	T333005	A

E-SWITCH®