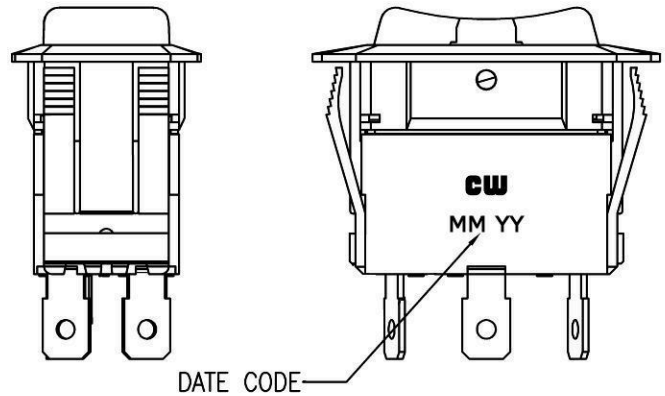
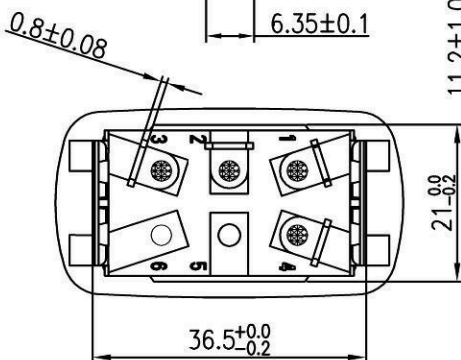
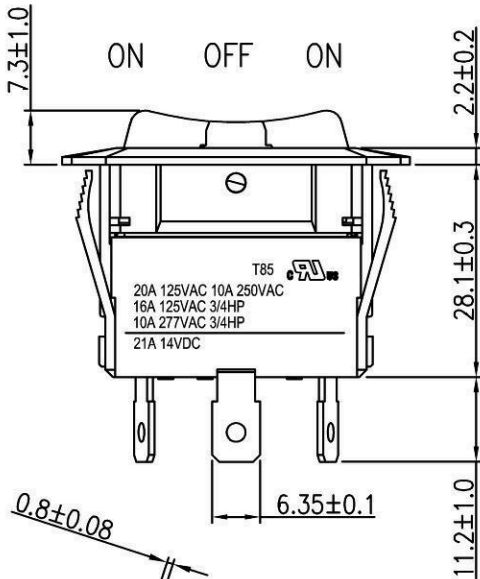
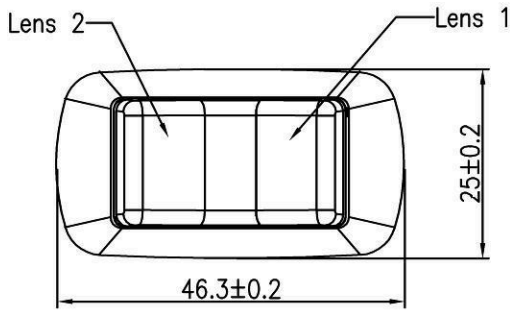


THIS INFORMATION IS CONFIDENTIAL AND PROPRIETARY TO CW INDUSTRIES INCORPORATED AND ITS AFFILIATES. IT MAY NOT BE DISCLOSED TO ANYONE, OTHER THAN CW INDUSTRIES PERSONNEL, WITHOUT WRITTEN AUTHORIZATION FROM CW INDUSTRIES INCORPORATED, SOUTHAMPTON, PENNSYLVANIA USA.

| | | | | |
|------------------------------|------------------------------|----------------------|----------|--------------------------------------|
| Rating | 21A 14VDC | Mounting Hole | | Circuit Diagram |
| Contact Resistance | 50m ohm Max. | | | |
| Insulation Resistance | DC 500V 100M ohm Min. | | | |
| Dielectric Strength | AC 1500V 1 minute | Thickness(mm) | X(mm) | Y(mm) |
| Operation Temperature | -20°~85° | 0.75~1.25 | 21.2+0.1 | 36.6 ^{+0.2} _{-0.1} |
| Switch Function | 4P SPDT ON-OFF-ON | 1.25~2.0 | | 36.8 ^{+0.2} _{-0.1} |
| | | 2.0~3.0 | | 37.0 ^{+0.2} _{-0.1} |

*** MATERIAL:**

- Frame: Nylon 66, Black
- Actuator: Nylon 66 with 33%GF, Black
- Lens 1: Red, Super bright LED
- Lens 2: Green, Super bright LED
- Water proof and dust proof to fit IP-56



RoHS Compliant

CW INDUSTRIES
 Southampton, Pa. 18966
 Tel 215.355.7080/www.cwind.com

Date Drawn: 5/19/10

Rev. 0

Unit: mm

Checked By: **EJP**

Title: **ROCKER SWITCH**

CW P/N: **GRB260D501BBRG1**