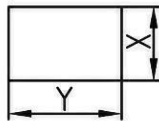
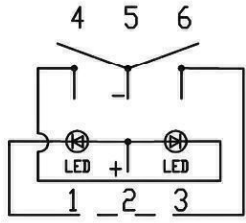
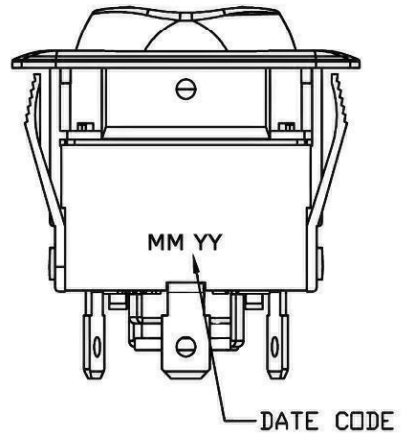
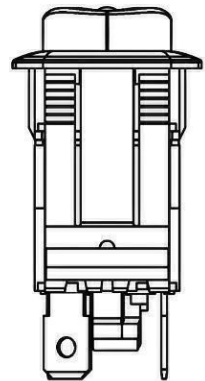
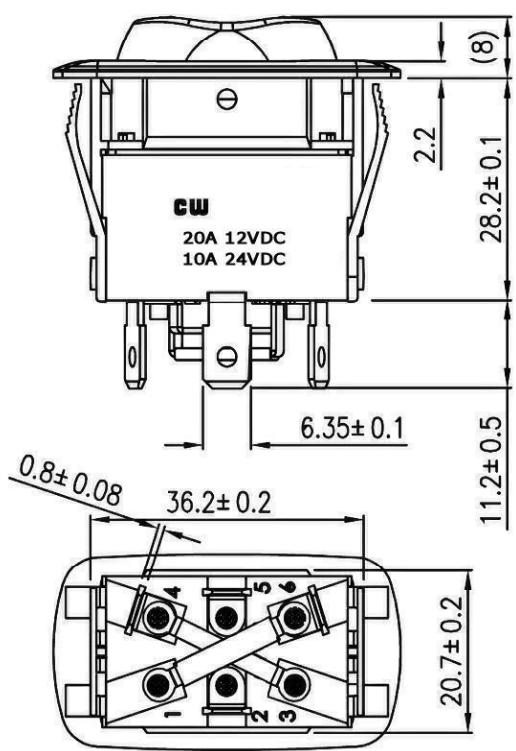


THIS INFORMATION IS CONFIDENTIAL AND PROPRIETARY TO CW INDUSTRIES INCORPORATED AND ITS AFFILIATES. IT MAY NOT BE DISCLOSED TO ANYONE, OTHER THAN CW INDUSTRIES PERSONNEL, WITHOUT WRITTEN AUTHORIZATION FROM CW INDUSTRIES INCORPORATED, SOUTHAMPTON, PENNSYLVANIA USA.

Rating	21A 14VDC	Mounting Hole 	Circuit Diagram 											
Contact Resistance	50m ohm Max.													
Insulation Resistance	DC 500V 100M ohm Min.													
Dielectric Strength	AC 1500V 1 minute													
Switch Function	4P SPDT ON-OFF-ON													
Operation Temperature	-20°C~85°C	<table border="1"> <tr> <th>Thickness</th> <th>X</th> <th>Y</th> </tr> <tr> <td>0.75~1.25</td> <td>21.2±0.1</td> <td>36.6±0.1</td> </tr> <tr> <td>1.25~2</td> <td>21.2±0.1</td> <td>36.8±0.1</td> </tr> <tr> <td>2~3</td> <td>21.2±0.1</td> <td>37.0±0.1</td> </tr> </table>	Thickness	X	Y	0.75~1.25	21.2±0.1	36.6±0.1	1.25~2	21.2±0.1	36.8±0.1	2~3	21.2±0.1	37.0±0.1
Thickness	X	Y												
0.75~1.25	21.2±0.1	36.6±0.1												
1.25~2	21.2±0.1	36.8±0.1												
2~3	21.2±0.1	37.0±0.1												



Material:
 Frame: Black, Nylon#66
 Actuator: Black, Nylon#66
 LED 1: Green
 LED 2: Red
 Printed: None
 Water proof and dust proof to fit IP-56



RoHS Compliant

1 SPDT Was SPST & Removed AC Ratings & added DC Ratings. 8/17/10

CW INDUSTRIES
 Southampton, Pa. 18966
 Tel 215.355.7080/www.cwind.com

Date Drawn: 5/18/10

Rev. 1

Unit: mm

Checked By: G. Guld

Title: **ROCKER SWITCH**

CW P/N: **GRB263D2BBGR2D1**