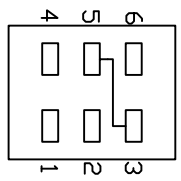
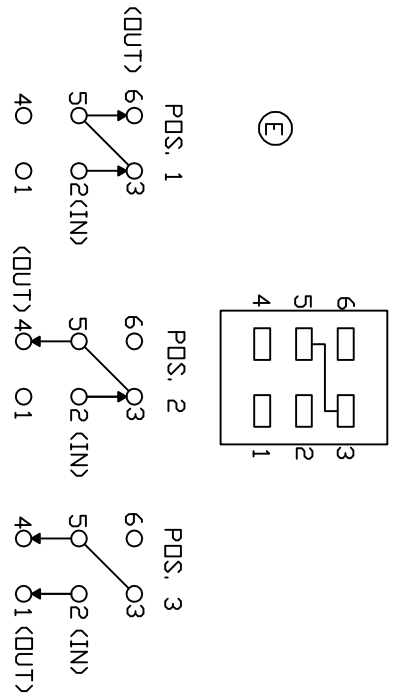
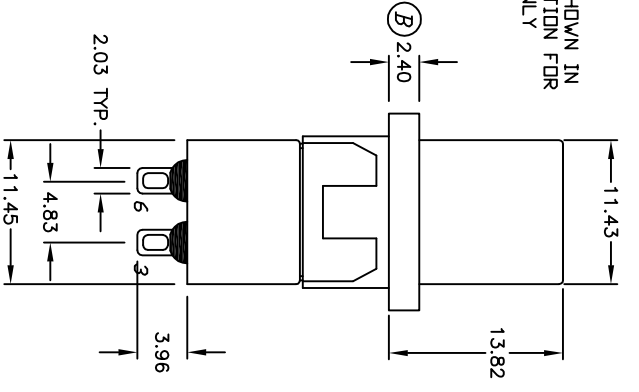
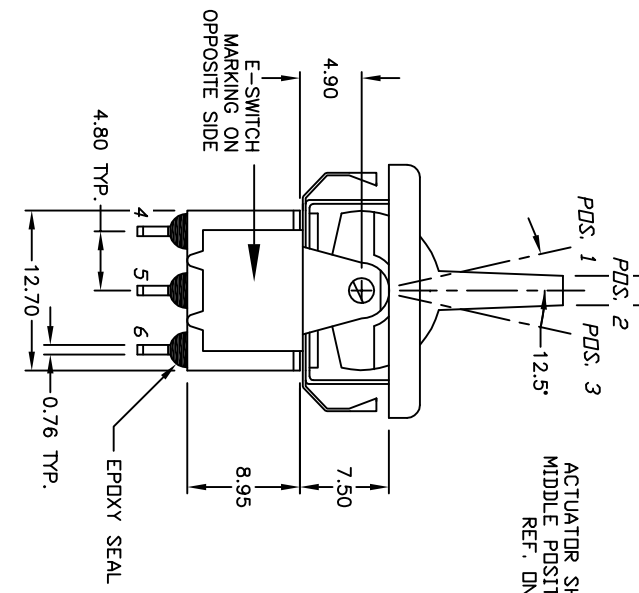
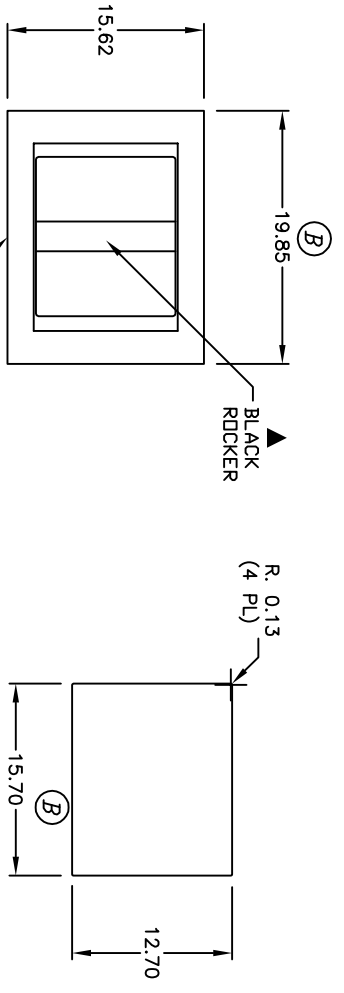


NOTE: JUMPER PIN 3 TO PIN 5



SWITCH FUNCTION			
PDS. 1	PDS. 2	PDS. 3	
DN	DN	DN	
2-3,5-6	2-3,5-4	2-1,5-4	

NOTES:

1. ALL DIMENSIONS IN MM
2. GENERAL TOLERANCE: X.X=±0.4  
X.XX=±0.25
3. TERM. NOS. FOR REF. ONLY
4. RATING: 0.4 VOLT AMPS MAX @20V MAX AC OR DC
5. MATERIAL: FIXED TERMINAL & MOVING CONTACT  
COPPER ALLOY W/GOLD PLATE OVER NICKLE PLATE  
CONTACT RESISTANCE: 10MILLI OHMS MAX INITIAL  
@2-4VDC, 100ma for AG & AU
6. ELECTRICAL LIFE: 50,000 MAKE-AND-BREAK CYCLES AT FULL LOAD.
7. INSULATION RESISTANCE: 1,000M OHM MIN.
8. DIELECTRIC STRENGTH: 1000V RMS @SEA LEVEL
9. OPERATING TEMP.: -30°C to 85°C
10. ▲ DENOTES CRITICAL PARAMETER.
11. (B) 12. 2002/95/EC (ROHS) COMPLIANT

E	17718	CHANGED SHEMATIC 3 WAY	9/25/07	BF
D	16928	FIXED TERMINAL NUMBERS	1/26/07	TN
C	15843	EDIT SWITCH FUNCTION	3/6/06	PH
B	15824	CHANGES NOTED	2/27/06	PH
A	13850	RELEASED FOR PRODUCTION	8/26/03	AR
REV.	ECN NO.	DESCRIPTION	DATE	CHKD

TITLE		SCALE	DATE	DR	DWG	REV
300DP6R7BLKMIREBLK		1.5 : 1	9/25/07	BF	T326039	E

