

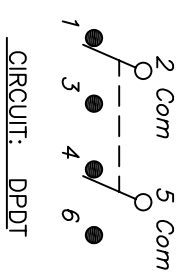
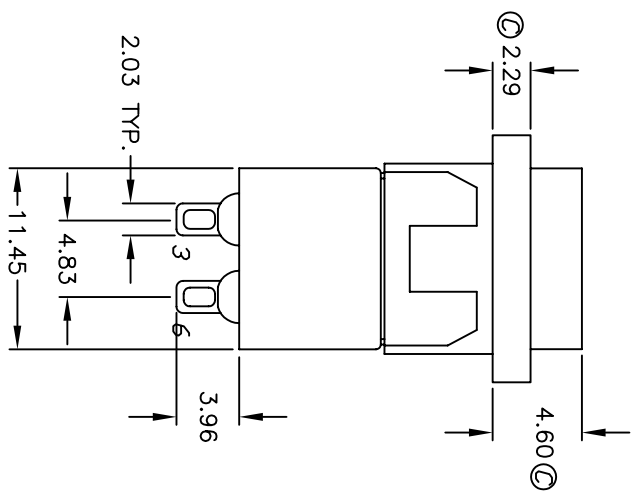
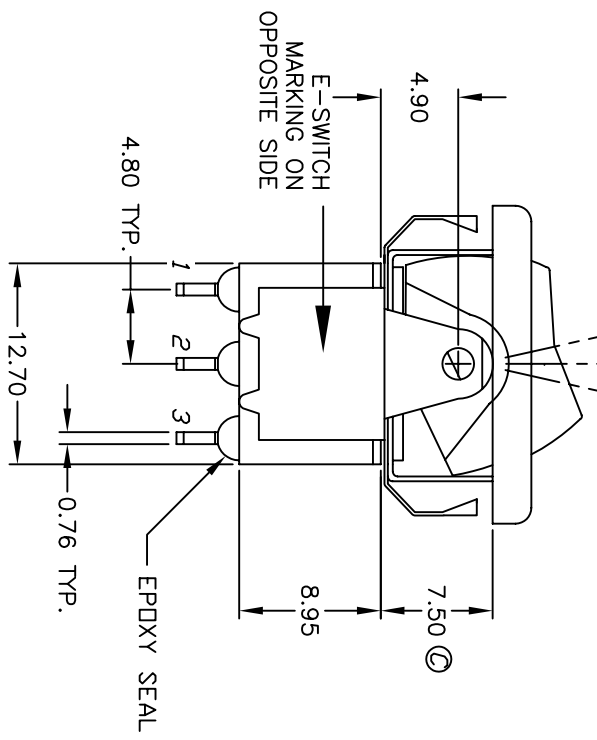
BLACK BEZEL  
BLACK ROCKER

PDS. 1  
PDS. 2  
PDS. 3

RECOMMENDED PANEL MOUNTING

PANEL THICKNESS  
1.52 TO 3.18

\* DIMENSION IS 15.75/15.88 FOR PANEL THICKNESS BETWEEN 1.52mm TO 3.18mm



CIRCUIT: DPDT

| SWITCH FUNCTION |        |         |
|-----------------|--------|---------|
| PDS. 1          | PDS. 2 | PDS. 3  |
|                 |        |         |
| <DN>            | OFF    | <DN>    |
| 2-3,5-6         | DPEN   | 2-1,5-4 |

NOTES:

1. ALL DIMENSIONS IN MM
2. GENERAL TOLERANCE: X.X=±0.4 X.XX=±0.25
3. TERM. NOS. FOR REF. ONLY
4. RATING: 5A @120VAC OR 28VDC 2A @250VAC
5. MATERIAL: FIXED TERMINAL & MOVING CONTACT Copper Alloy w/Silver Platte
6. CONTACT RESISTANCE: 10mILLI Ohms max initial @2-4VDC, 100mA for AG & AU
7. ELECTRICAL LIFE: 50,000 mcke-and-break cycles at full load.
8. INSULATION RESISTANCE: 1,000M ohm min.
9. DIELECTRIC STRENGTH: 1000V RMS @sea level
10. OPERATING TEMP.: -30°C to 85°C
- ①1. 2002/95/EC (ROHS) COMPLIANT

**E-SWITCH®**

| REV. | ECN No. | DESCRIPTION               | DATE    | CHKD |
|------|---------|---------------------------|---------|------|
| C    | 15900   | CHANGES NOTED             | 3/27/06 | PH   |
| B    | 12120   | REVISED DESC/ PER CATALDG | 5/6/02  | CB   |
| A    | 10822   | RELEASED FOR PRODUCTION   | 7/28/00 | MM   |

| SCALE | DATE    | DR | DWG     | REV |
|-------|---------|----|---------|-----|
| 2:1   | 7/28/00 | MM | T324002 | C   |

THE INFORMATION CONTAINED IN THIS DOCUMENT IS PROPRIETARY TO E-SWITCH AND IS NOT TO BE COPIED OR TRANSFERRED

TITLE: 300 DP-4 R6 BLK M1 Q E BLK