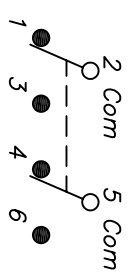
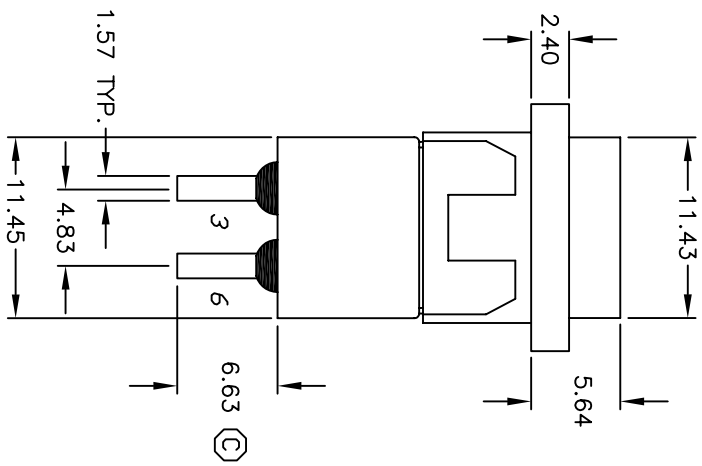
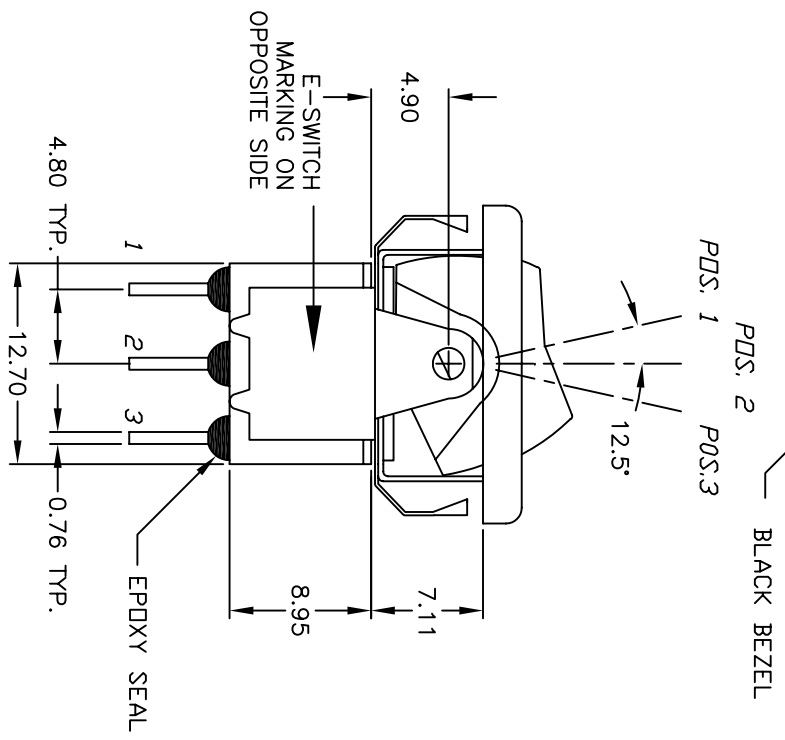


SWITCH FUNCTION		
POS. 1	POS. 2	POS. 3
DN	OFF	DN
2-3,5-6	OPEN	2-1,5-4

PANEL THICKNESS
 * DIMENSION IS 15.75/15.88
 FOR PANEL THICKNESS BETWEEN
 1.52mm TO 3.18mm



CIRCUIT: DPDT

- NOTES:
1. ALL DIMENSIONS IN MM
 2. GENERAL TOLERANCE: X.X=±0.4
X.XX=±0.25
 3. TERM. NOS. FOR REF. ONLY
 4. RATING: 5A @120VAC OR 28VDC
2A @250VAC
 5. MATERIAL: FIXED TERMINAL & MOVING CONTACT
Copper Alloy w/Silver Plate
 6. CONTACT RESISTANCE: 10mILLI Ohms max initial
@2-4VDC, 100mA for AG & AU
 7. ELECTRICAL LIFE: 50,000 make-and-break
cycles at full load.
 8. INSULATION RESISTANCE: 1,000M ohm min.
 9. DIELECTRIC STRENGTH: 1000V RMS @sea level
 10. OPERATING TEMP.: -30°C to 85°C
 11. 2002/95/EC (ROHS) COMPLIANT



300DP3R6BLKM3QE BLK

REV.	ECN NO.	DESCRIPTION	DATE	CHKD
C	17567	CHANGED DIM. 6.35 TO 6.63	8/16/07	BF
THE INFORMATION CONTAINED IN THIS DOCUMENT IS PROPRIETARY TO E-SWITCH AND IS NOT TO BE COPIED OR TRANSFERRED				

TITLE		SCALE	DATE	DR	DWG	REV
300DP3R6BLKM3QE BLK		2:1	8/16/07	BF	T323003	C