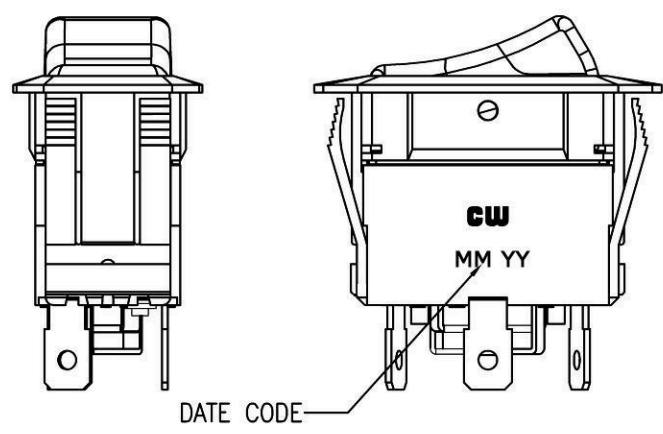
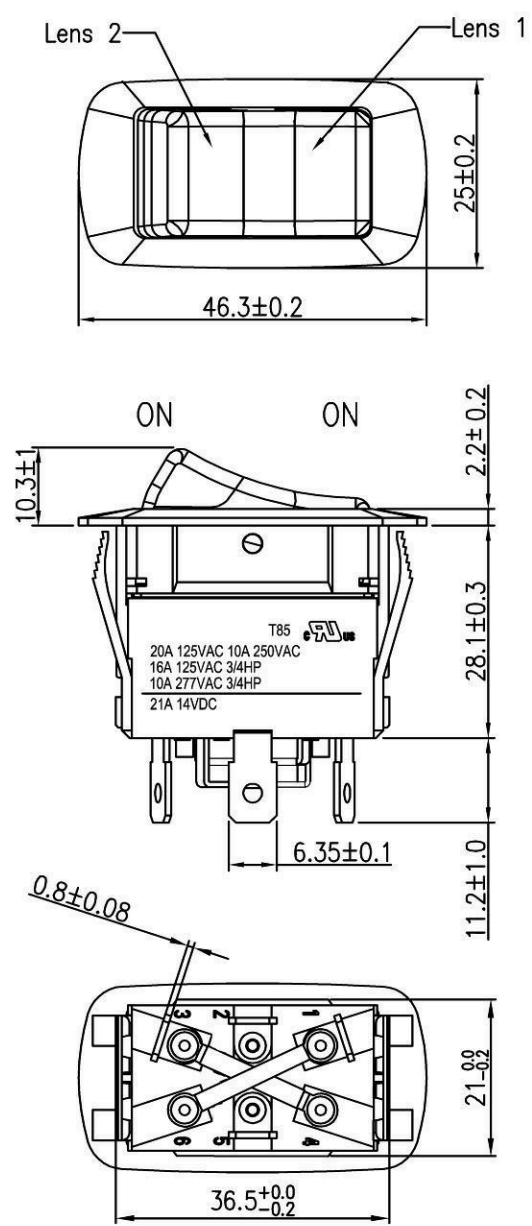


THIS INFORMATION IS CONFIDENTIAL AND PROPRIETARY TO CW INDUSTRIES INCORPORATED AND ITS AFFILIATES. IT MAY NOT BE DISCLOSED TO ANYONE, OTHER THAN CW INDUSTRIES PERSONNEL, WITHOUT WRITTEN AUTHORIZATION FROM CW INDUSTRIES INCORPORATED, SOUTHAMPTON, PENNSYLVANIA USA.

Rating	21A 14VDC	Mounting Hole		Circuit Diagram	
Contact Resistance	50m ohm Max.				
Insulation Resistance	DC 500V 100M ohm Min.				
Dielectric Strength	AC 1500V 1 minute	Thickness(mm)	X(mm)		Y(mm)
Operation Temperature	-20°~85°	0.75~1.25	21.2+0.1		36.6 ^{+0.2} ₋₀
Switch Function	4P SPDT ON-ON	1.25~2.0		36.8 ^{+0.2} ₋₀	
		2.0~3.0		37.0 ^{+0.2} ₋₀	

*** MATERIAL:**
 Frame: Nylon#66, Black
 Actuator: Nylon#66 with 33%GF, Black
 Lens 1: PC, Red
 Lens 2: PC, Green
 Water proof and dust proof to fit IP-56



RoHS Compliant

CW INDUSTRIES
 Southampton, Pa. 18966
 Tel 215.355.7080/www.cwind.com

Date Drawn: 5/19/10	Rev. 0	Unit: mm	Checked By: EJP
Title: ROCKER SWITCH		CW P/N: GRB260C501B BRG1	