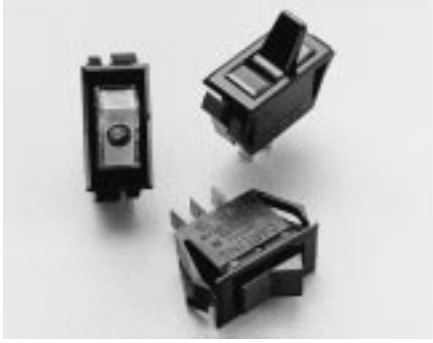


LTA-Series



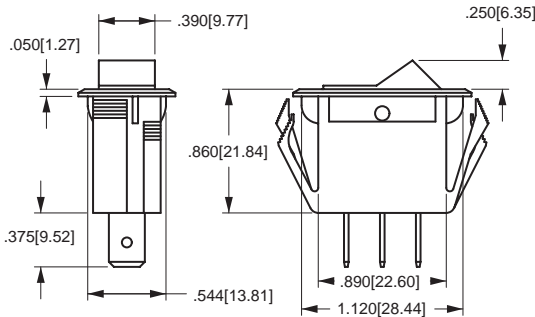
The LTA-Series Mini Tippette Snap-in rocker switches are illuminated, single pole and double-insulated. These AC rated switches are also suitable for low voltage DC applications. A variety of actuators, colors and terminations can be specified with ratings up to 20 amps.

Specifications

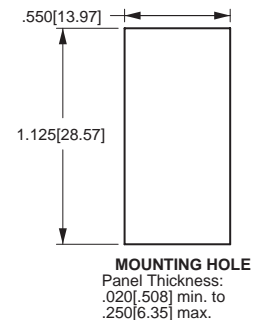
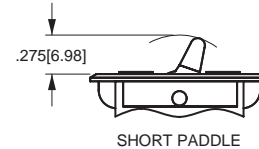
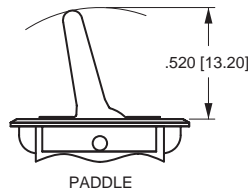
- Certifications*: UL, CSA
- Dielectric Strength: 1,000V (minimum)
- Insulation Resistance: 100 Megohms (minimum)
- Base Material: Nylon
- Actuator Material: Nylon or Polycarbonate
- Bezel Material: Nylon

* Due to ongoing technological advances, consult factory for certification specifics.

Dimensional Specifications: in. [mm]



.250 TAB (Q.C.)	SOLDER LUG	.187 TAB (Q.C.)	INTEGRATED WIRE LEAD (no exposed conductors)
TERMINAL TYPE			



LTA	20	1	- T R	- B	/ 125N
SERIES	RATING	TERMINATION	ACTUATOR STYLE	ACTUATOR COLOR	LENS COLOR^{2,3}
LTA OFF-NONE-ON SINGLE POLE	<p>10 5A 250VAC 10A 125VAC 1/2HP 125-250VAC</p> <p>11 5A 250VAC 10A 125VAC 5A (TUNGSTEN) 125VAC L</p> <p>20 10A 250VAC 15A 125VAC 3/4HP 125-250VAC</p> <p>21 10A 250VAC 15A 125VAC</p> <p>22 10A 250VAC 15A 125VAC 20A 125-250VAC H 3/4HP 125-250VAC</p>	<p>0 SOLDER LUG</p> <p>1 .250 TAB (QC)</p> <p>3 .187 TAB (QC)</p> <p>5 WIRE LEAD</p>	<p>P PADDLE</p> <p>PS PADDLE - SHORT</p> <p>T LIGHTED ROCKER</p>	<p>ROCKER</p> <p>A AMBER</p> <p>C CLEAR</p> <p>G GREEN³</p> <p>R RED</p> <p>PADDLE¹</p> <p>B BLACK</p> <p>W WHITE</p> <p>BASE COLOR¹</p> <p>B BLACK</p> <p>W WHITE</p>	<p>A AMBER</p> <p>C CLEAR</p> <p>G GREEN</p> <p>LU BLUE</p> <p>R RED</p> <p>LAMP VOLTAGE</p> <p>6V 6 VOLT/ INCANDESCENT</p> <p>12V 12 VOLT/ INCANDESCENT</p> <p>18V 18 VOLT/ INCANDESCENT</p> <p>24V 24 VOLT/ INCANDESCENT</p> <p>28V 28 VOLT/ INCANDESCENT</p> <p>125N 125 VOLT/ NEON</p> <p>250N 250 VOLT/ NEON</p>

NOTES:

Shading indicates standard configurations. Stainless steel bezels are available. Add suffix "BEZEL" to the end of the catalog number. (ex.) LTA201-TR-B/12V/BEZEL
Imprinting is available. Please specify when ordering.

Panel Cut-Out Recommendations: For sheet metal panels, switch must enter panel in same direction as the punch. (Burr on bottom.) Test cut hole in actual material.

¹ Custom colors are available. Consult factory.

² Neon lamps (125 volt or 250 volt) not recommended with green or blue colored indicators.

³ Specify lens color only if actuator style is P or PS.