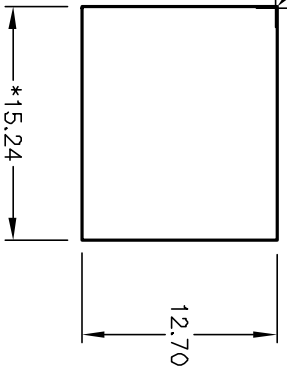


BLACK
ROCKER

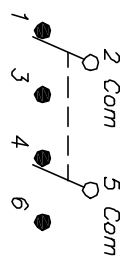
R. 0.13
(4 PL)



RECOMMENDED PANEL MOUNTING

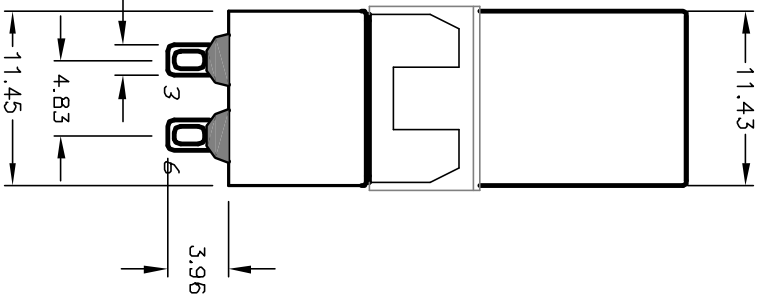
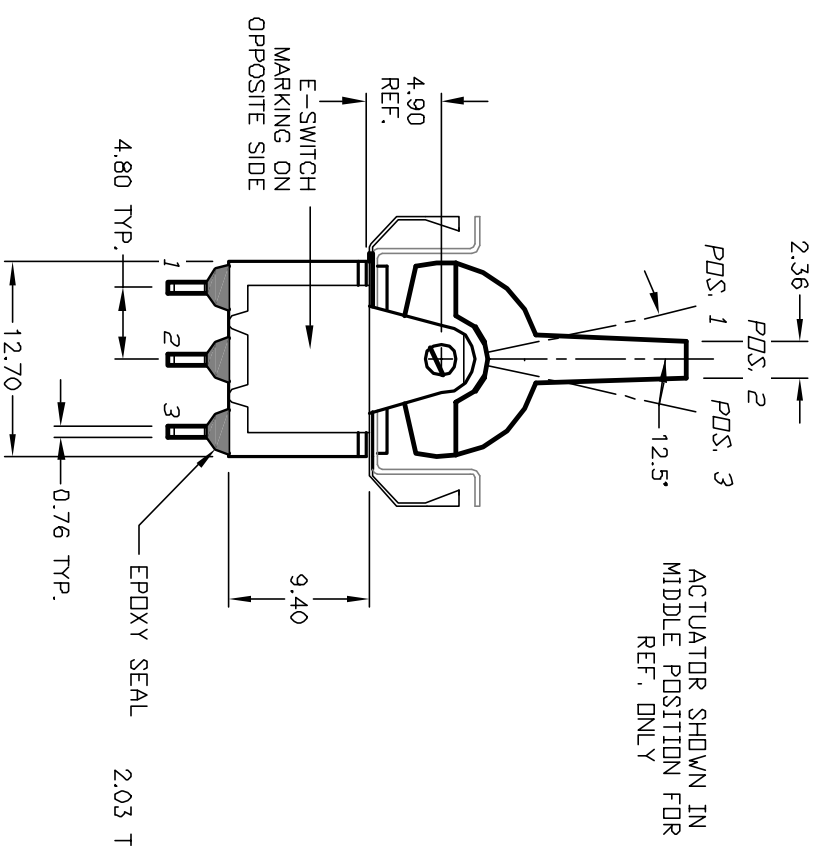
* DIMENSION IS 15.75/15.88
FOR PANEL THICKNESS BETWEEN
1.52mm TO 3.18mm

PANEL THICKNESS
1.52 TO 3.18



CIRCUIT: DPDT

SWITCH FUNCTION		
PDS: 1	PDS: 2	PDS: 3
DN	NDNE	DN
2-3,5-6	DPEN	2-1,5-4



NOTES:

1. ALL DIMENSIONS IN MM
2. GENERAL TOLERANCE: X.X=±0.4 X.XX=±0.25
3. TERM. NOS. FOR REF. ONLY
4. RATING: 5A @120VAC OR 2BVDC 2A @250VAC
5. MATERIAL: FIXED TERMINAL & MOVING CONTACT
Copper Alloy w/Silver Plate
6. CONTACT RESISTANCE: 10mILLI Ohms max initial @2-4VDC, 100mA for AG & AU
7. ELECTRICAL LIFE: 50,000 make-and-break cycles at full load.
8. INSULATION RESISTANCE: 1,000M Ohm min.
9. DIELECTRIC STRENGTH: 1000V RMS @sea level
10. OPERATING TEMP.: -30°C to 85°C

E-SWITCH®

REV.	ECN No.	DESCRIPTION	DATE	CHKD
A	12446	RELEASED FOR PRODUCTION	11/12/02	CB

TITLE	SCALE	DATE	DR	DWG	REV
300 DP-1 R8 BLK M1 Q E	2:1	11/12/02	CB	T321062	A

THE INFORMATION CONTAINED IN THIS DOCUMENT IS PROPRIETARY TO E-SWITCH AND IS NOT TO BE COPIED OR TRANSFERRED