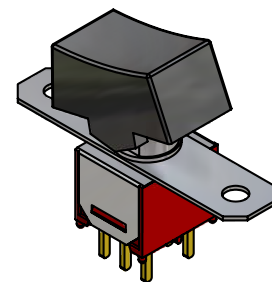
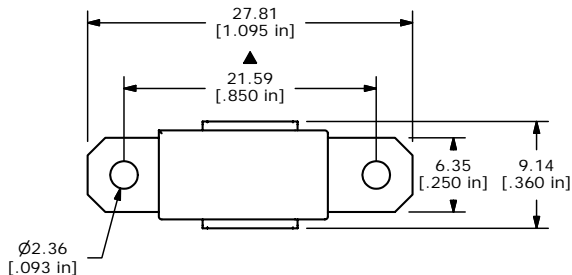
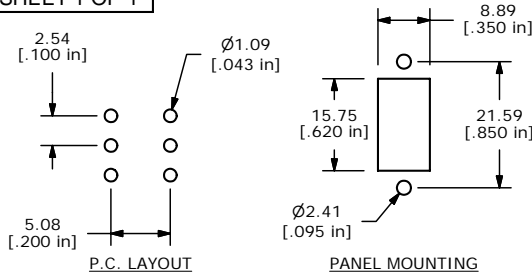
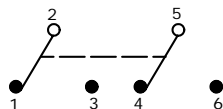


SHEET 1 OF 1



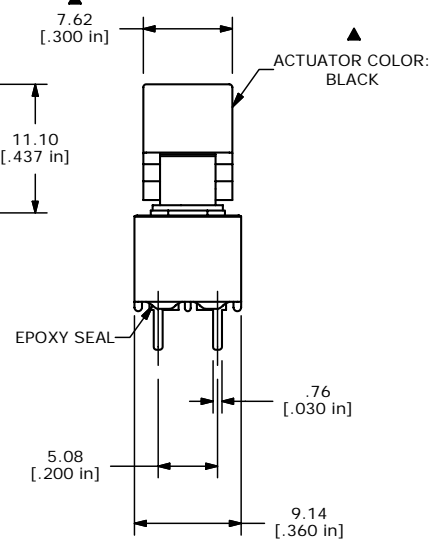
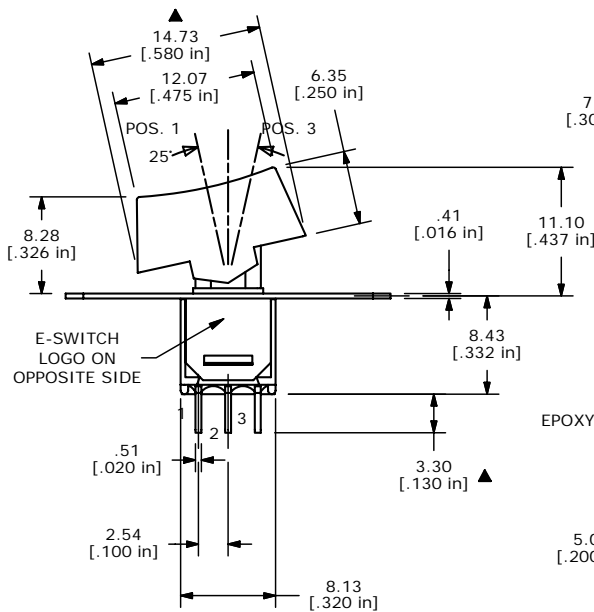
ISOMETRIC

SWITCH FUNCTION		
POS. 1	POS. 2	POS. 3
ON	OFF	ON
2-3, 5-6	OPEN	2-1, 5-4



NOTE:

1. ALL DIMENSIONS IN MM [INCH]
2. GENERAL TOLERANCE: X.X=±0.4
X.XX=±0.25
3. TERMINAL NUMBERS FOR REF ONLY
- ▲ 4. PLATING MATERIAL: SILVER
5. RATING: 1A @250VAC
3A @120VAC OR 28 VDC
6. ELECTRIC LIFE: 30,000 MAKE-AND-BREAK CYCLES AT FULL LOAD.
7. INSULATION RESISTANCE: 1,000 MEGA-OHM MIN.
8. DIELECTRIC STRENGTH: 1,000 V RMS @SEA LEVEL.
9. OPERATING TEMP.: -30°C to 85°C
- ▲ 10. ▲ DENOTES CRITICAL PARAMETER.



B	15219	CHANGED NOTE 5, ADD DIMS. 8.14, 9.14	8/30/05	PH
A	15036	RELEASED FOR PRODUCTION	6/30/05	JB
REV	PCR NO	DESCRIPTION	DATE	BY

THE INFORMATION CONTAINED IN THIS DOCUMENT IS PROPRIETARY TO E-SWITCH AND IS NOT TO BE COPIED OR TRANSFERRED

E-SWITCH®

TITLE 400MDP3R1BLKM2QE

SCALE 2:1	DATE 6/30/2005	DR JB	DWG T408000	REV B
-----------	----------------	-------	-------------	-------