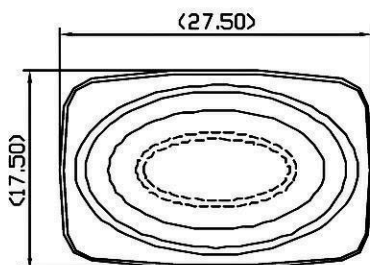


THIS INFORMATION IS CONFIDENTIAL AND PROPRIETARY TO CW INDUSTRIES INCORPORATED AND ITS AFFILIATES. IT MAY NOT BE DISCLOSED TO ANYONE, OTHER THAN CW INDUSTRIES PERSONNEL, WITHOUT WRITTEN AUTHORIZATION FROM CW INDUSTRIES INCORPORATED, SOUTHAMPTON, PENNSYLVANIA USA.

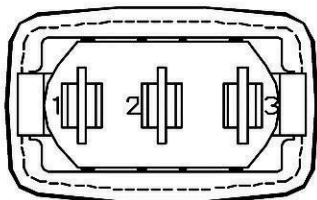
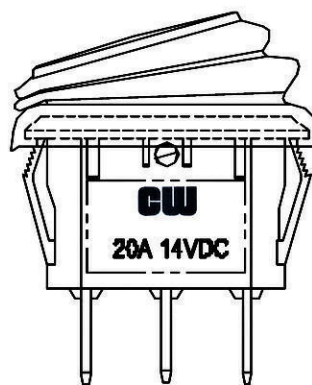
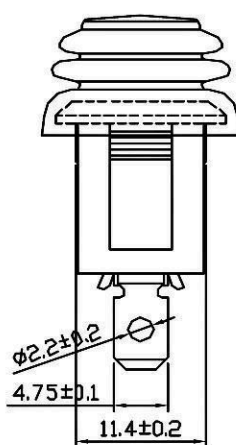
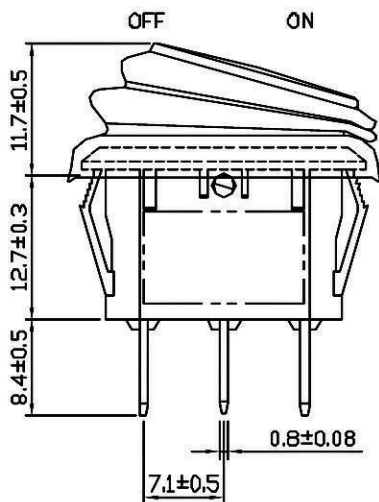
<b>Rating</b>	<b>20A 14VDC</b>										
<b>Contact Resistance</b>	<b>50m ohm Max.</b>										
<b>Insulation Resistance</b>	<b>DC 500V 100M ohm Min.</b>										
<b>Dielectric Strength</b>	<b>AC 1500V 1 minute</b>										
<b>Operation Temperature</b>	<b>25°C~85°C</b>										
<b>Switch Function</b>	<b>3P SPST ON-OFF (LED)</b>	<table border="1"> <tr> <td>Thickness</td> <td>X</td> <td>Y</td> </tr> <tr> <td>0.75...1.5</td> <td>23.3+0.1</td> <td>11.6+0.1</td> </tr> <tr> <td>1.5...2.5</td> <td>23.6+0.1</td> <td>11.6+0.1</td> </tr> </table>	Thickness	X	Y	0.75...1.5	23.3+0.1	11.6+0.1	1.5...2.5	23.6+0.1	11.6+0.1
Thickness	X	Y									
0.75...1.5	23.3+0.1	11.6+0.1									
1.5...2.5	23.6+0.1	11.6+0.1									



**\*MATERIAL:**

Frame: Black, Nylon 66 (94-V2)  
 Actuator: Red, PC clear (94-V2)  
 Waterproof Rubber: Black, Silicone  
 Printed: None

**\*Waterproof: IP65**



RoHS Compliant

**CW INDUSTRIES**  
 Southampton, Pa. 18966  
 Tel 215.355.7080/www.cwind.com

Date Drawn: 2/06/09

Rev. 0

Unit: mm

Checked By: GG

Title: **ROCKER SWITCH**

CW P/N: **GRB278B802BR1**