
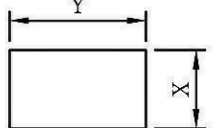
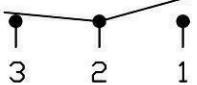
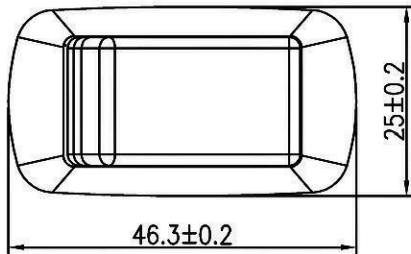


THIS INFORMATION IS CONFIDENTIAL AND PROPRIETARY TO CW INDUSTRIES INCORPORATED AND ITS AFFILIATES. IT MAY NOT BE DISCLOSED TO ANYONE, OTHER THAN CW INDUSTRIES PERSONNEL, WITHOUT WRITTEN AUTHORIZATION FROM CW INDUSTRIES INCORPORATED, SOUTHAMPTON, PENNSYLVANIA USA.

<b>Rating</b>	20A 125VAC 10A 25VAC 16A 125VAC 3/4HP  10A 277VAC 3/4HP	<b>Mounting Hole</b>		<b>Circuit Diagram</b>	
	21A 14VDC				
<b>Contact Resistance</b>	50m ohm Max.				
<b>Insulation Resistance</b>	DC 500V 100M ohm Min.				
<b>Dielectric Strength</b>	AC 1500V 1 minute	Thickness(mm)	X(mm)		Y(mm)
<b>Operation Temperature</b>	-20°~+85°	0.75~1.25	21.2±0.1		36.6 <sup>+0.2</sup> <sub>-0.2</sub>
<b>Switch Function</b>	3P SPDT ON-ON	1.25~2.0		36.8 <sup>+0.2</sup> <sub>-0.2</sub>	
		2.0~3.0		37.0 <sup>+0.2</sup> <sub>-0.2</sub>	



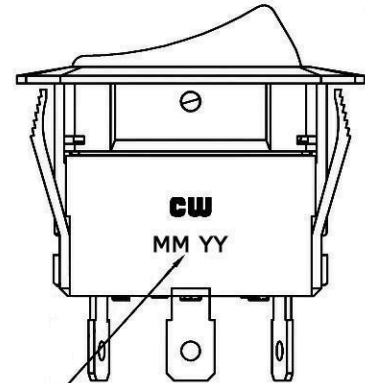
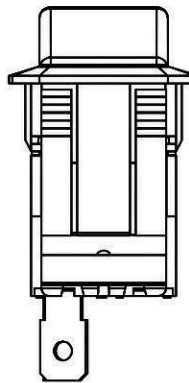
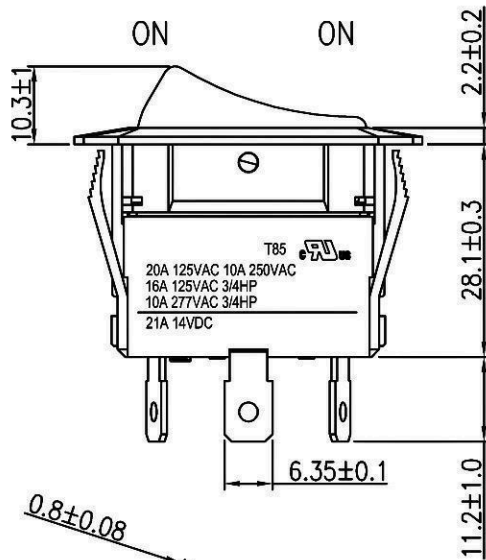
**\* MATERIAL:**

Frame: Nylon#66, Black

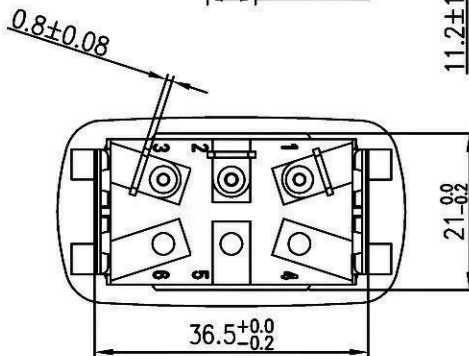
Actuator: Nylon#66 with 33%GF, Black

Printed: None

Water proof and dust proof to fit IP-56



DATE CODE



RoHS Compliant

**CW INDUSTRIES**  
Southampton, Pa. 18966  
Tel 215.355.7080/www.cwind.com

Date Drawn: 5/18/10

Rev. 0

Unit: mm

Checked By: EJP

Title: **ROCKER SWITCH**

CW P/N: **GRB260C101BBNN**