
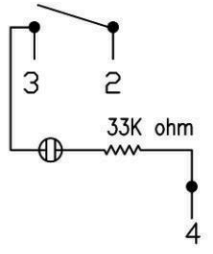
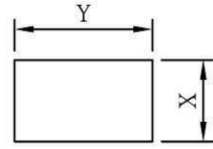
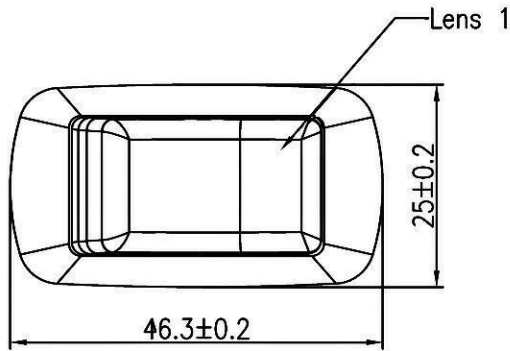


THIS INFORMATION IS CONFIDENTIAL AND PROPRIETARY TO CW INDUSTRIES INCORPORATED AND ITS AFFILIATES. IT MAY NOT BE DISCLOSED TO ANYONE, OTHER THAN CW INDUSTRIES PERSONNEL, WITHOUT WRITTEN AUTHORIZATION FROM CW INDUSTRIES INCORPORATED, SOUTHAMPTON, PENNSYLVANIA USA.

Rating	20A 125VAC 10A 25VAC 16A 125VAC 3/4HP 10A 277VAC 3/4HP		Mounting Hole			
	21A 14VDC					
Contact Resistance	50m ohm Max.			Thickness(mm)		
Insulation Resistance	DC 500V 100M ohm Min.			0.75~1.25	X(mm)	
Dielectric Strength	AC 1500V 1 minute			1.25~2.0	21.2+0.1	
Operation Temperature	-20°~85°			2.0~3.0	Y(mm)	
Switch Function	3P SPST ON-OFF(Neon)				36.6 ^{+0.2} ₋₀	
					36.8 ^{+0.2} ₋₀	
					37.0 ^{+0.2} ₋₀	



MATERIAL:

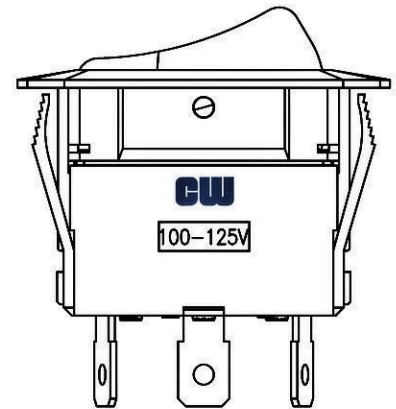
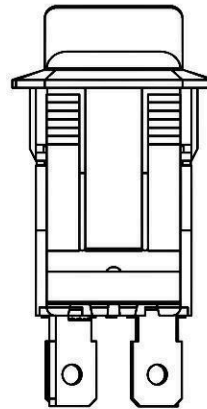
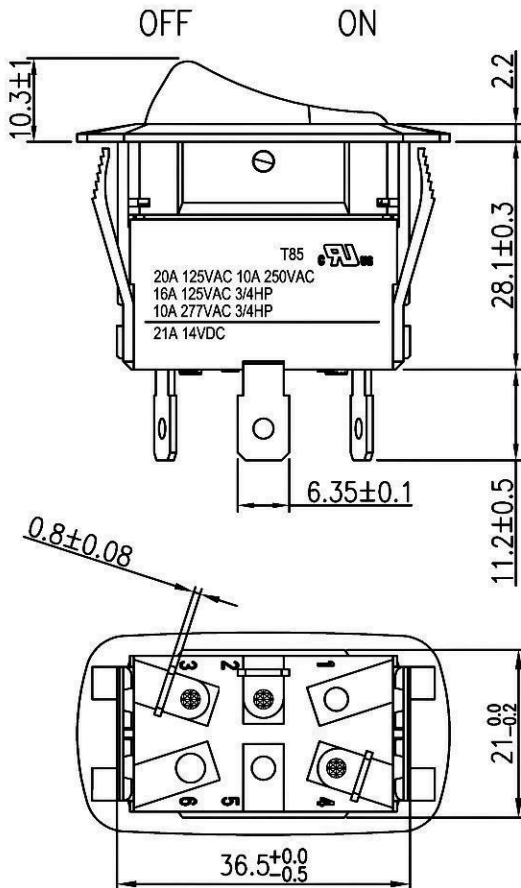
Frame: Nylon 66, Black

Actuator: Nylon 66 with 33%GF, Black

Lens: PC, Red

Lamp: Neon, Red

Water proof and dust proof to fit IP-56



RoHS Compliant

CW INDUSTRIES
Southampton, Pa. 18966
Tel 215.355.7080/www.cwind.com

Date Drawn: 10/08/09

Rev. 1

Unit: mm

Checked By: GG

Title: **ROCKER SWITCH**

CW P/N: **GRB260A401BBRN2**