
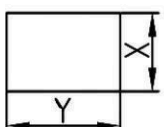
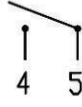
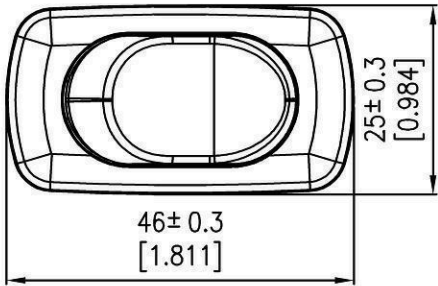


THIS INFORMATION IS CONFIDENTIAL AND PROPRIETARY TO CW INDUSTRIES INCORPORATED AND ITS AFFILIATES. IT MAY NOT BE DISCLOSED TO ANYONE, OTHER THAN CW INDUSTRIES PERSONNEL, WITHOUT WRITTEN AUTHORIZATION FROM CW INDUSTRIES INCORPORATED, SOUTHAMPTON, PENNSYLVANIA USA.

Rating	16A 125VAC		Mounting Hole		Circuit Diagram												
	10A 277VAC 3/4HP																
	21A 14VDC																
Contact Resistance	50m ohm Max.																
Insulation Resistance	DC 500V 100M ohm Min.		<table border="1"> <thead> <tr> <th>Thickness</th> <th>X</th> <th>Y</th> </tr> </thead> <tbody> <tr> <td>0.75~1.25</td> <td>21.2+0.1</td> <td>36.6+0.1</td> </tr> <tr> <td>1.25~2</td> <td>21.2+0.1</td> <td>36.8+0.1</td> </tr> <tr> <td>2~3</td> <td>21.2+0.1</td> <td>37.0+0.1</td> </tr> </tbody> </table>		Thickness	X	Y	0.75~1.25	21.2+0.1	36.6+0.1	1.25~2	21.2+0.1	36.8+0.1	2~3	21.2+0.1	37.0+0.1	
Thickness	X	Y															
0.75~1.25	21.2+0.1	36.6+0.1															
1.25~2	21.2+0.1	36.8+0.1															
2~3	21.2+0.1	37.0+0.1															
Dielectric Strength	AC 1500V 1 minute																
Switch Function	2P SPST ON-OFF																
Operation Temperature	-20°C~85°C																



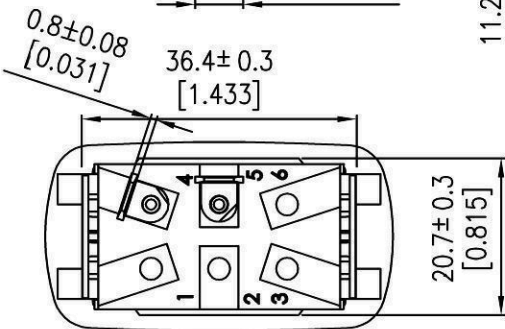
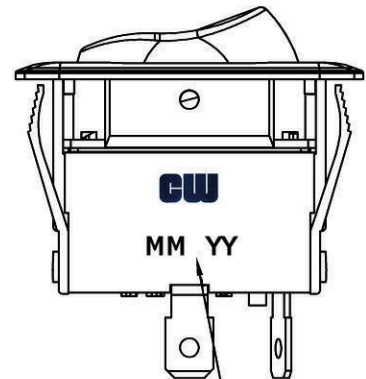
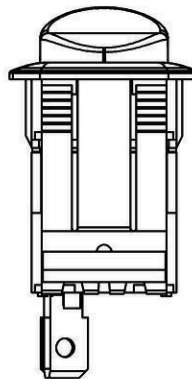
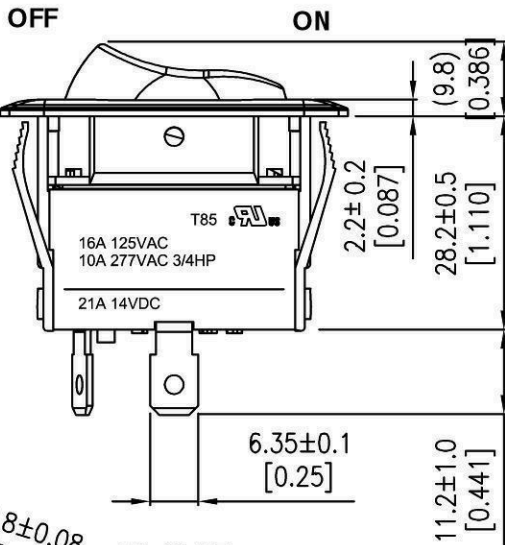
Material:

Frame: Black, Nylon#66

Actuator: Black, Nylon#66

Printed: None

Water proof and dust proof to fit IP-56



RoHS Compliant

CW INDUSTRIES
Southampton, Pa. 18966
Tel 215.355.7080/www.cwind.com

Date Drawn: 1/15/10

Rev. 1

Unit: mm

Checked By: GG

Title: **ROCKER SWITCH**

CW P/N: **GRB263A0BBNN**