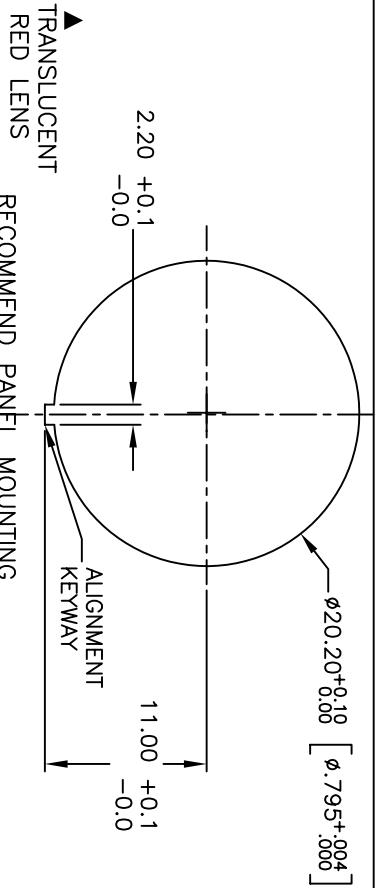
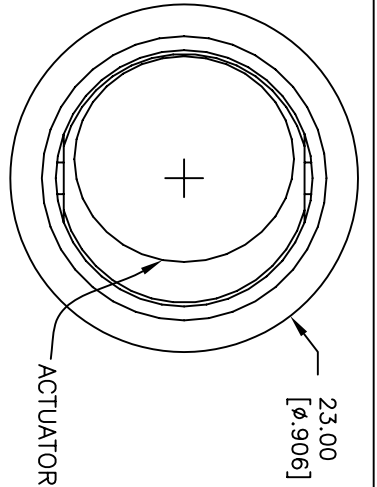


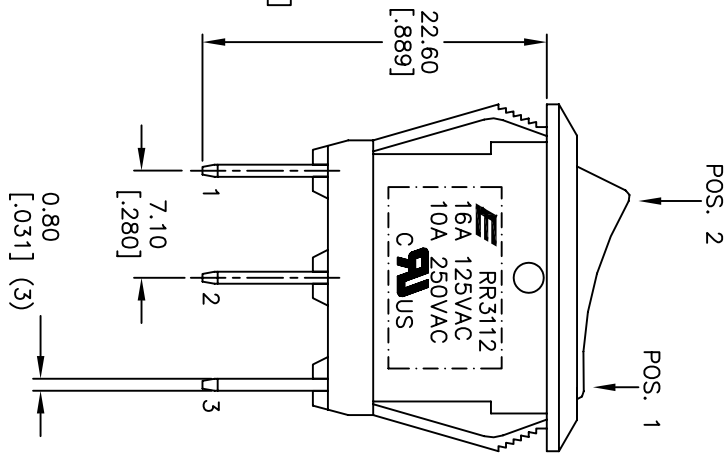
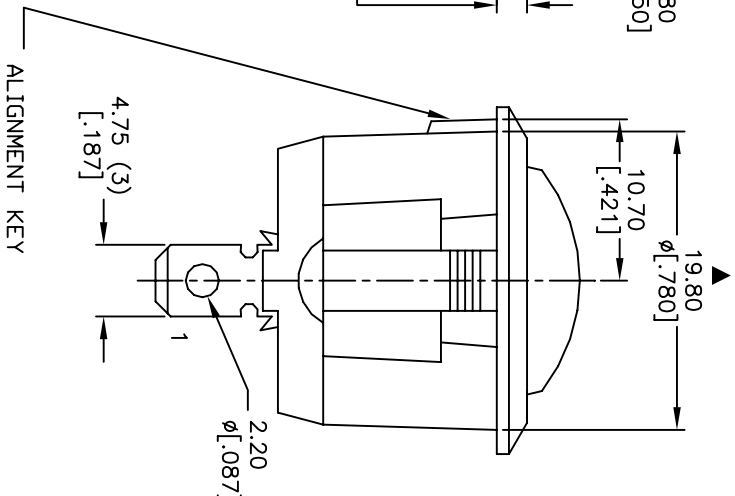
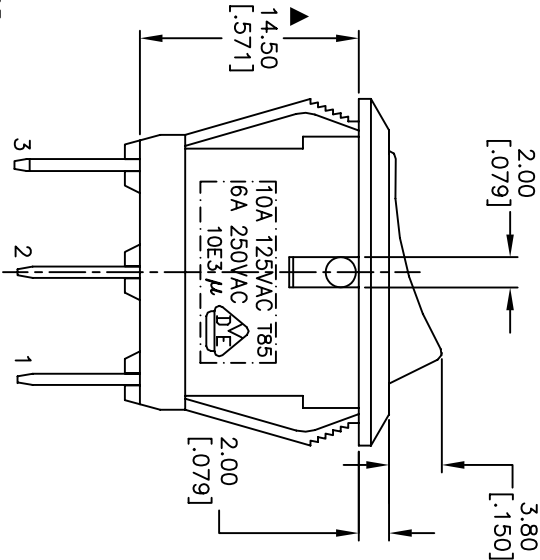
CIRCUIT: 2P. SPST  
CONTACT CONFIGURATION  
ON-OFF (ILLUMINATED)



| SWITCH FUNCTION |        |
|-----------------|--------|
| POS. 1          | POS. 2 |
| ON              | OFF    |
| 2-1             | OPEN   |

NOTES:

1. ALL DIMENSIONS IN MM [INCH]
2. GENERAL TOLERANCE: 0.00=±0.4  
0.00=±0.25
3. TERM. NOS. FOR REF. ONLY
4. RATING: 16A, 12 VDC MAX.
5. CONTACT RESISTANCE: 50m ohm max.
6. INSULATION RESISTANCE: DC 500V 100M ohm min.
7. DIELECTRIC STRENGTHS: AC 1500V 1 minute
8. OPERATING TEMP.: -20°C to 85°C
9. LED: 12V RED
10. ▲ DENOTES CRITICAL PARAMETER.
11. 2002/95/EC (ROHS) COMPLIANT.



| REV. | ECN No. | DESCRIPTION                              | DATE     | CHKD |
|------|---------|--|----------|------|
| B    | 17935   | CHANGE TO TRANSLUCENT RED LENS, 3 TERMS. | 1/23/08  | BLR  |
| A    | 16814   | RELEASED FOR PRODUCTION                  | 1/8/2007 | TN   |

| TITLE                         | SCALE | DATE     | DR  | DWG     | REV |
|-------------------------------|-------|----------|-----|---------|-----|
| RR3112BBLKREDFEDEF4 - SPECIAL | 2:1   | 1/8/2007 | BLR | F130511 | B   |



THE INFORMATION CONTAINED IN THIS DOCUMENT IS PROPRIETARY TO E-SWITCH AND IS NOT TO BE COPIED OR TRANSFERRED