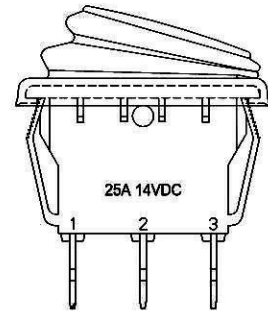
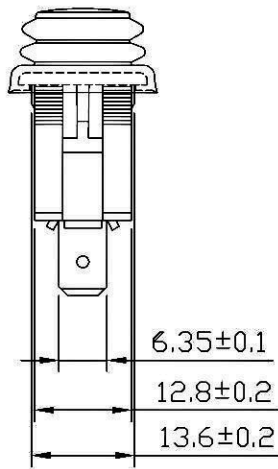
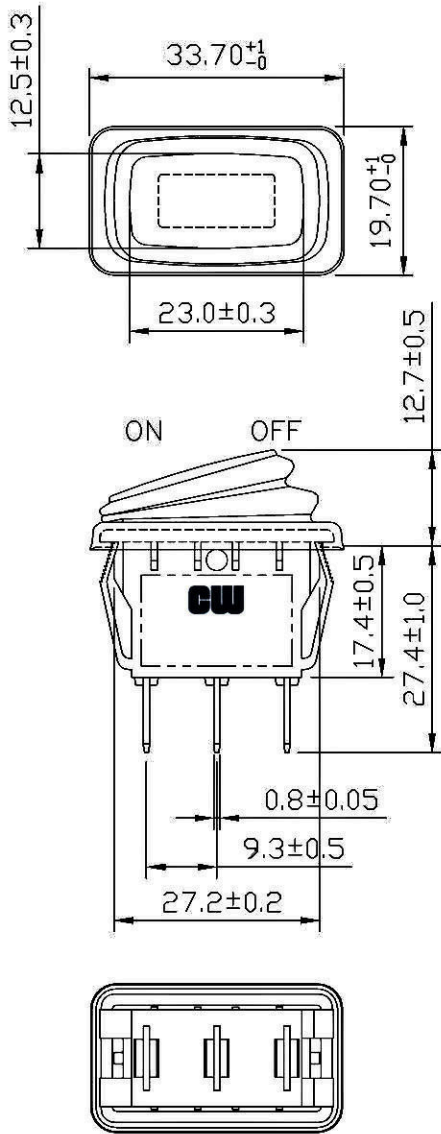


THIS INFORMATION IS CONFIDENTIAL AND PROPRIETARY TO CW INDUSTRIES INCORPORATED AND ITS AFFILIATES. IT MAY NOT BE DISCLOSED TO ANYONE, OTHER THAN CW INDUSTRIES PERSONNEL, WITHOUT WRITTEN AUTHORIZATION FROM CW INDUSTRIES INCORPORATED, SOUTHAMPTON, PENNSYLVANIA USA.

Rating	25A 14VDC
Contact Resistance	50m ohm Max.
Insulation Resistance	DC 500V 100M ohm Min.
Dielectric Strength	AC 1500V 1 minute
Operation Temp.	- 25° C ~ 85° C
Switch Function	3P SPST ON - OFF (LED)

Mounting Hole		Circuit Diagram							
Thickness	<table border="1"> <thead> <tr> <th>X</th> <th>Y</th> </tr> </thead> <tbody> <tr> <td>0.75...2.5</td> <td>27.6-0.1 13.8+0.1</td> </tr> <tr> <td>2.5...3.5</td> <td>27.8-0.1 13.8+0.1</td> </tr> <tr> <td>3.5...4.5</td> <td>28.0-0.1 13.8+0.1</td> </tr> </tbody> </table>		X	Y	0.75...2.5	27.6-0.1 13.8+0.1	2.5...3.5	27.8-0.1 13.8+0.1	3.5...4.5
X	Y								
0.75...2.5	27.6-0.1 13.8+0.1								
2.5...3.5	27.8-0.1 13.8+0.1								
3.5...4.5	28.0-0.1 13.8+0.1								

***MATERIAL:**
 Frame: Black, Nylon 66 (94-V2)
 Actuator: Red, PC clear (94-V2)
 Waterproof rubber: Black, Silicone
 Terminals 1,2: Silver plated, Copper alloy
 Terminal 3: Brass alloy
 Printed: None
 IP rating: IP65



RoHS Compliant

CW INDUSTRIES
 Southampton, Pa. 18966
 Tel 215.355.7080/www.cwind.com

Date Drawn: 6/01/09

Rev. 0

Unit: mm

Checked By: GG

Title: **ROCKER SWITCH**

CW P/N: **GRB238B801BR1**