

## 610/620-Series



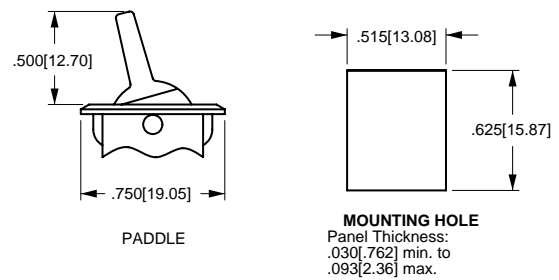
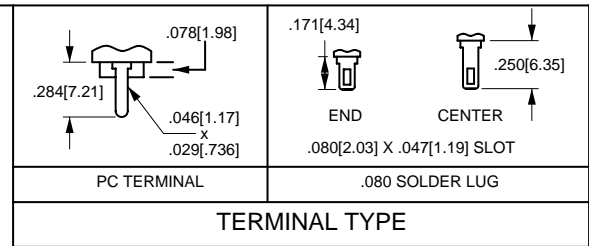
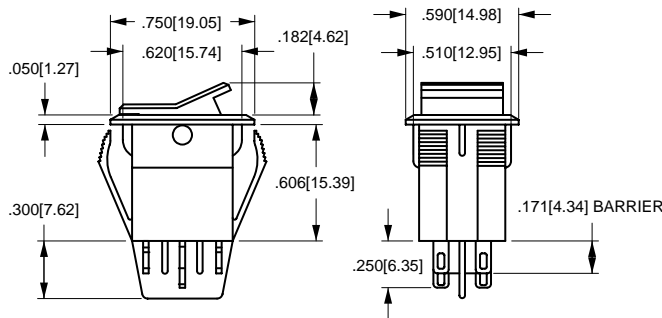
The miniature 610/620-Series switches are double insulated and available in single or double pole configurations. These snap-in mounted switches are offered with either a paddle or rocker actuator and with ratings up to 8 amps.

### Specifications

- Certifications\*: UL, CSA, VDE, and SEMKO
- Dielectric Strength: 1,000 V (minimum)
- Insulation Resistance: 100 Megohms (minimum)
- Base Material: Nylon
- Actuator Material: Nylon

\* Due to ongoing technological advances, consult factory for certification specifics.

### Dimensional Specifications: in. [mm]



**6 20 1 6 4 2 1 - 0 - 0**

**SERIES** | **ACTUATOR STYLE** | **BASE/ACTUATOR COLOR<sup>1</sup>** | **POLES** | **RATING<sup>2</sup>** | **FUNCTION** | **TERMINATION** | **EPOXY SEALED TERMINALS** | **ROCKER FACE IMPRINTED LEGEND<sup>3</sup>**

**6**

**ACTUATOR STYLE**

10 PADDLE  
20 ANGLED ROCKER

BASE	ACTUATOR
1 BLACK	BLACK
2 BLACK	WHITE
4 WHITE	BLACK
5 WHITE	WHITE

**POLES**

1 SINGLE POLE  
2 DOUBLE POLE  
5 DOUBLE POLE W/ HIGH BARRIERS  
6 SINGLE POLE W/ HIGH BARRIERS

**RATING<sup>2</sup>**

1 .4VA MAX @20V MAX (AC/DC)  
2 2A 250VAC  
5A 125VAC  
RESISTIVE  
4 4A 250 VAC  
8A 125VAC  
9 4A 250VAC  
8A 125VAC  
INDUCTIVE  
6(4)A 250VAC

**FUNCTION**

2 ON-NONE-ON  
3 ON-NONE-(ON)  
6 ON-OFF-ON  
7 ON-OFF-(ON)  
8 (ON)-OFF-(ON)

**TERMINATION**

1 SOLDER LUG  
2 PC TERM

**EPOXY SEALED TERMINALS**

E EPOXY  
0 NONE REQUIRED

**ROCKER FACE IMPRINTED LEGEND<sup>3</sup>**

0 NO LEGEND  
A ON-OFF (VERTICAL)  
B ON-OFF (HORIZONTAL)  
D I-O (HORIZONTAL)  
E I-O (VERTICAL)

**NOTES:**

Shading indicates standard configurations.

Panel Cut-Out Recommendations: For sheet metal panels, switch must enter panel in same direction as the punch. (Burr on bottom.) Test cut hole in actual material.

1 Matte finish is standard. Custom colors are available. Consult factory.

2 Rating 1 contact surfaces: gold plate over nickel plate. Rating Code 9=T55, available with function 2 only.

3 White is standard with dark rocker actuators; black is standard with light rocker actuators. Choose 0 if paddle actuator is specified.