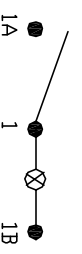
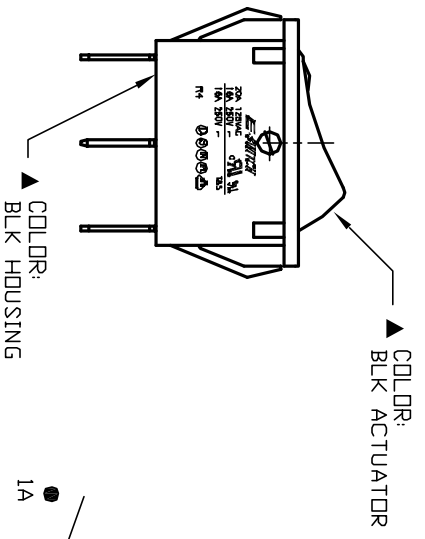
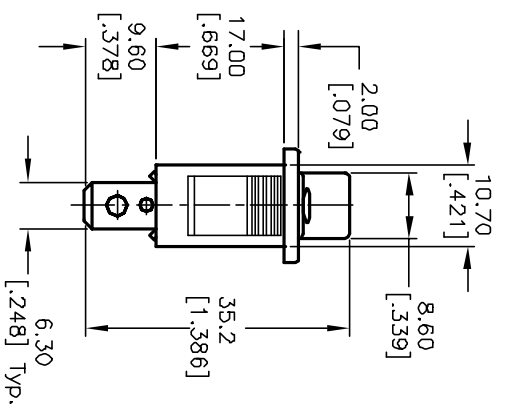
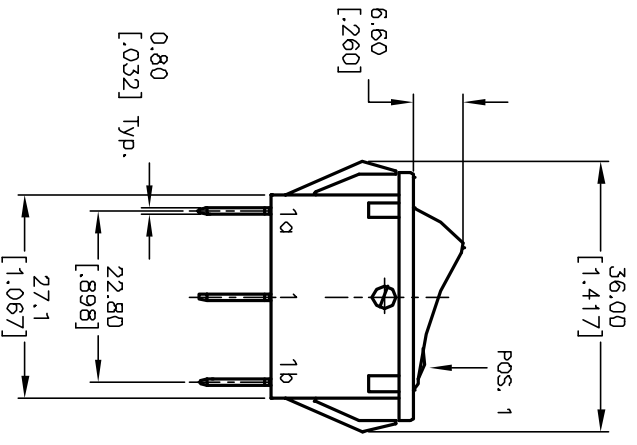
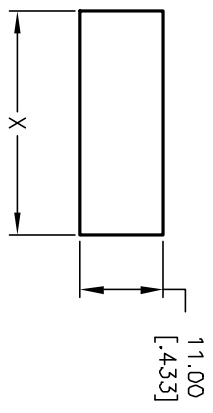


PANEL THICKNESS	X
0.75~1.25	30.0
1.25~2.00	30.2
2.00~3.00	30.6



CIRCUIT: SPST  
CONTACT CONFIGURATION

SWITCH FUNCTION	
POS. 1	POS. 2
ON-ILLUMINATED	OFF
1-1a	OPEN

NOTES:

1. ALL DIMENSIONS IN MM [INCH]
2. GENERAL TOLERANCE: X.X=±0.4  
X.XX=±0.25
3. TERM. NOS. FOR REF. ONLY
4. RATING: 15A 250V, 20A 125V AC
5. MATERIAL: Body & Rocker: Nylon 6/6 UL94 V-2
6. LAMP VOLTAGE: 24VDC (Incandescent bulb)
7. MAJOR DIMENSION

B	12754	REVISED RATINGS	2/27/03	CJB
A	12073	RELEASED FOR PRODUCTION	4/18/02	CJB
REV.	ECN NO.	DESCRIPTION	DATE	CHK'D

**E-SWITCH®**

TITLE: R4 B BLK BLK GRN E F 4

SCALE: 1:1      DATE: 3/21/01      DR: CJB      DWG: M401126      REV: B

THE INFORMATION CONTAINED IN THIS DOCUMENT IS PROPRIETARY TO E-SWITCH AND IS NOT TO BE COPIED OR TRANSMITTED