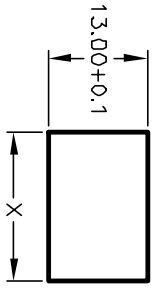
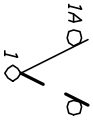


PANEL THICKNESS	X dimension
0.75-1.25 [0.30-.0491]	19.2-0.1 [7.561]
1.25-2.0 [0.49-.079]	19.4-0.1 [7.641]
2.0-3.0 [0.79-1.18]	19.8-0.1 [7.801]



PANEL CUTOUT  
NOT TO SCALE

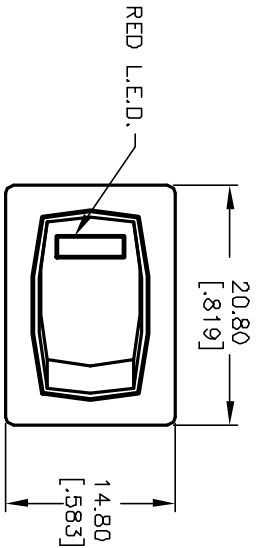
SWITCH FUNCTION	
PDS, 1	PDS, 2
DN	DFP
1-1a	DPEN



CIRCUIT: SPST

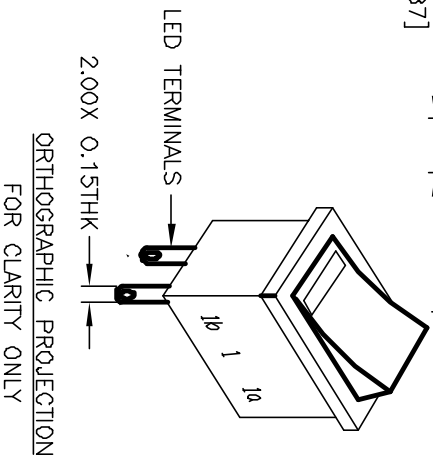
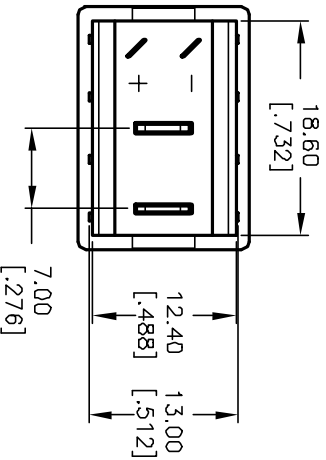
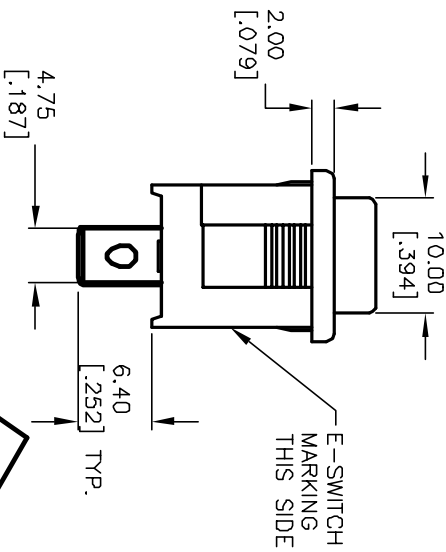
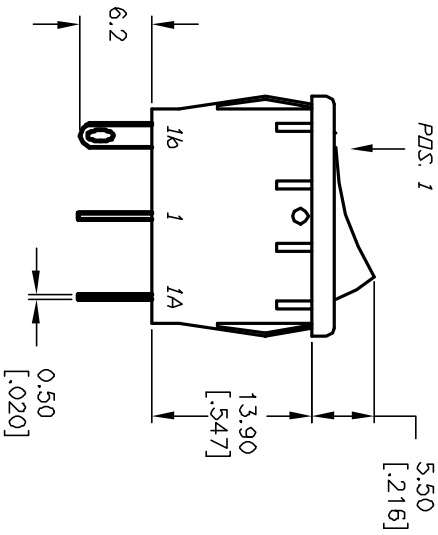
NOTES:

1. ALL DIMENSIONS IN MM [INCH]
2. GENERAL TOLERANCE: X.X=±0.4  
X.XX=±0.25
3. TERMINAL NUMBERS FOR REF ONLY
4. RATING:  
15A @125VAC; 8A @250V UL,VDE,CSA APPROVED  
6A @250VAC
5. MATERIALS: (TERMINALS) SILVER PLATED COPPER  
(CONTACTS) COIN SILVER, SILVER PLATED.
6. CONTACT RESISTANCE: <20 Mega
7. ELECTRICAL LIFE: 10,000 cycles
8. INSULATION RESISTANCE: >1000 Mega
9. DIELECTRIC STRENGTH: >1500V 1 minute  
>3000V between Poles
10. OPERATING TEMP. RANGE: -25°C to +85°C



RED L.E.D

PARAMETERS	SYMBOL	MAX. TYP.	UNITS
POWER DISSIPATION	$P_D$	80	mW
AVE FORWARD CURRENT	$I_{AF}$	--	mA
PEAK FORWARD CURRENT	$I_{PF}$	100	mA
REVERSE VOLTAGE	$V_R$	5	V
FORWARD VOLTAGE	$V_F$	2.1	V
REVERSE CURRENT	$I_R$	100	$\mu A$
EMISSION WAVELENGTH	$\lambda_p$	660	nm
LUMINOUS INTENSITY	$I_v$	30	mcd



**E-SWITCH®**

REV.	ECN No.	DESCRIPTION	DATE	CHKD	TITLE	SCALE	DATE	DR	DWG	REV
A	12393	RELEASED	8/29/02	CJB	R1966A BLK BLK E G RED	1.5:1	9/20/01	CB	M301119	A
<p>THE INFORMATION CONTAINED IN THIS DOCUMENT IS PROPRIETARY TO E-SWITCH AND IS NOT TO BE COPIED OR TRANSFERRED</p>										