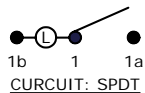


RECOMMENDED PANEL MOUNTING

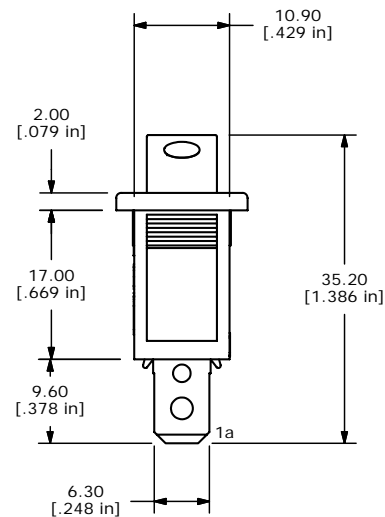
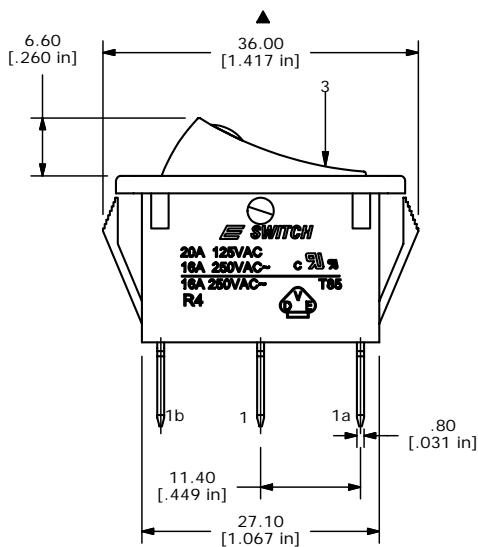
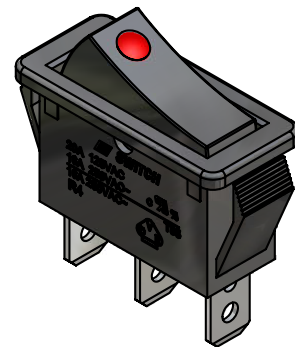
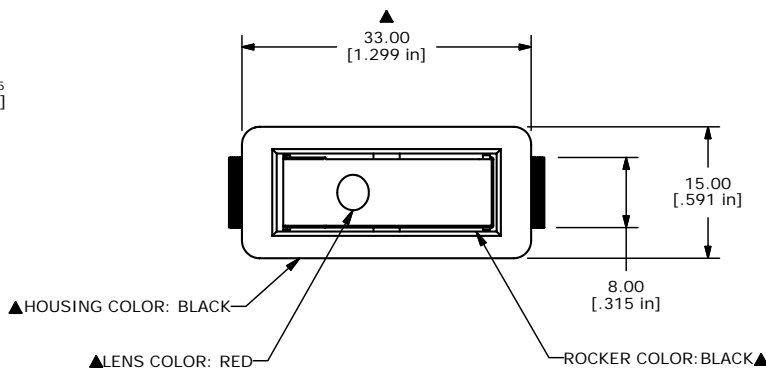
PANEL THICKNESS	X± 0.05
0.75-1.25	29.65
1.25-2.00	30.15
2.00-3.00	30.50



SWITCH FUNCTION		
POS. 1	POS. 2	POS. 3
ON	N/A	OFF
1-1a	NONE	OPEN

NOTES:

1. ALL DIMENSIONS IN MM [INCH]
2. GENERAL TOLERANCE: X.X=±0.4
X.XX=±0.25
3. TERM. NOS. FOR REF. ONLY
4. RATING: 20A 125VAC, 16A 250VAC
5. MATERIAL: BODY & ROCKER, NYLON 6/6 UL94 V-2
6. LAMP VOLTAGE: 250VAC NEON
7. ▲DENOTES CRITICAL PARAMETER.
8. 2002/95/EC (ROHS) COMPLIANT



TITLE R4BBLKBLKREDEF2

B	15883	REVISE AND REDRAWN	3/21/06	PH
REV	PCR NO	DESCRIPTION	DATE	BY

THE INFORMATION CONTAINED IN THIS DOCUMENT IS PROPRIETARY TO E-SWITCH AND IS NOT TO BE COPIED OR TRANSFERRED

SCALE 1.5:1	DATE 3/21/2006	DR--	DWG M040157	REV B
-------------	----------------	------	-------------	-------