

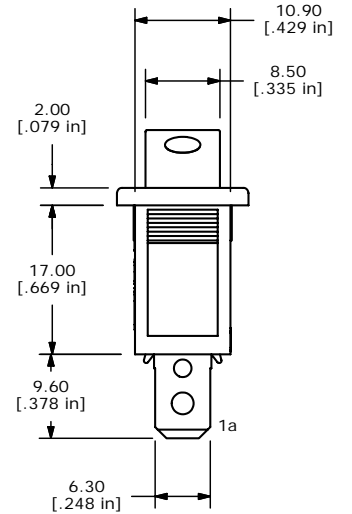
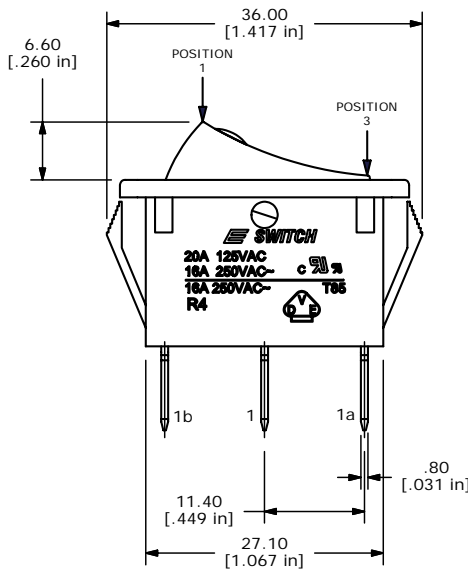
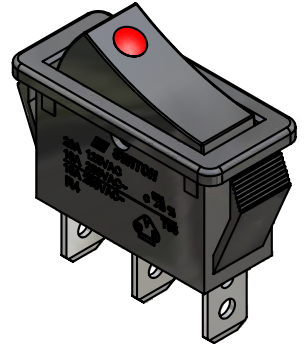
PANEL THICKNESS	X ± 0.05
0.75-1.25	29.65
1.25-2.00	30.15
2.00-3.00	30.50

SWITCH FUNCTION		
POS. 1	POS. 2	POS. 3
ON	N/A	OFF
1-1a	NONE	OPEN

HOUSING COLOR: BLACK

LENS COLOR: RED

ROCKER COLOR: BLACK



- NOTES:
1. ALL DIMENSIONS IN MM [INCH]
  2. GENERAL TOLERANCE: X, X=±0.4  
X.XX=±0.25
  3. TERM. NOS. FOR REF. ONLY
  4. RATING: 20A, 125VAC; 16A, 250VAC UL APPROVED  
16A, 250VAC VDE APPROVED
  5. MECHANICAL LIFE: > 30,000 CYCLES
  6. ELECTRICAL LIFE: <20mOHMS (INITIAL)
  7. DIELECTRIC STRENGTH: >1500V 1 min
  8. OPERATING TEMPERATURE: TERMINAL SIDE: -20°C to 85°C  
ROCKER SIDE: -20°C to 55°C
  9. FLAMABILITY: UL94 V-2
  - ▲ 10. LAMP VOLTAGE: 125VAC NEON BULB
  11. ▲ DENOTES CRITICAL PARAMETER.
  12. 2002/95/EC (ROHS) COMPLIANT

REV	PCR NO	DESCRIPTION	DATE	BY
F	15994	UPDATE NOTES AND DIMS	4/28/2006	CT
E	15811	CHANGES NOTED	2/23/06	PH
D	15791	REVISE AND REDRAWN	2/20/06	PH

THE INFORMATION CONTAINED IN THIS DOCUMENT IS PROPRIETARY TO E-SWITCH AND IS NOT TO BE COPIED OR TRANSFERRED

**E-SWITCH®**

TITLE R4BBLKBLKREDEF1

SCALE	DATE	DR	DWG	REV
1:1	7/22/2002	MM	M040103	F