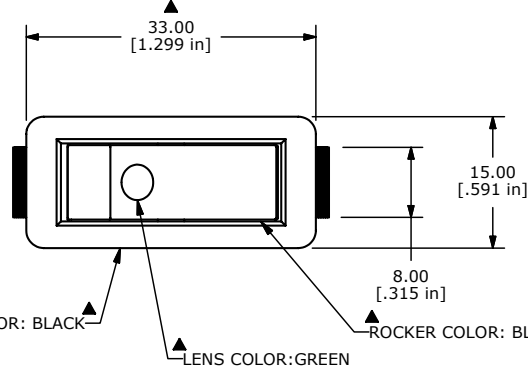


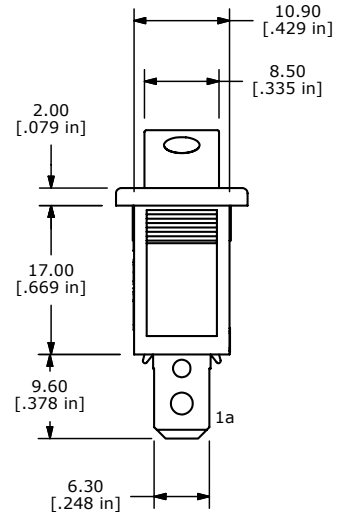
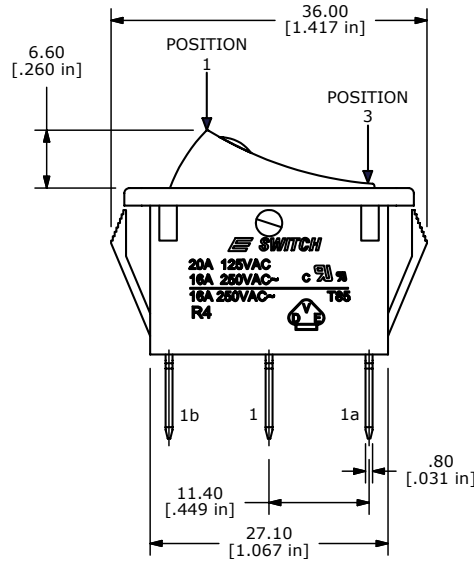
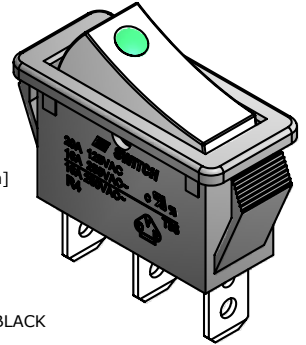
RECOMMENDED PANEL MOUNTING

| PANEL THICKNESS | X ± 0.05 |
|-----------------|----------|
| 0.75-1.25 | 29.65 |
| 1.25-2.00 | 30.15 |
| 2.00-3.00 | 30.50 |

| SWITCH FUNCTION | | |
|-----------------|--------|--------|
| POS. 1 | POS. 2 | POS. 3 |
| | | |
| ON | N/A | OFF |
| 1-1a | NONE | OPEN |



HOUSING COLOR: BLACK
LENS COLOR: GREEN
ROCKER COLOR: BLACK



NOTES:

- ALL DIMENSIONS IN MM [INCH]
- GENERAL TOLERANCE: X.X ± 0.4
X.XX ± 0.25
- TERM. NOS. FOR REF. ONLY
- RATING: 20A 125VAC, 16A 250VAC UL APPROVED
16A 250VAC VDE APPROVED
- MECHANICAL LIFE: > 30,000 CYCLES
- ELECTRICAL LIFE: < 20mOHMS (INITIAL)
- DIELECTRIC STRENGTH: > 1500V 1 min
- OPERATING TEMPERATURE: TERMINAL SIDE: -20°C to 85°C
ROCKER SIDE: -20°C to 55°C
- FLAMABILITY: UL94 V-2
- LAMP VOLTAGE: 125VAC NEON BULB
- ▲ DENOTES CRITICAL PARAMETER.
- 2002/95/EC (ROHS) COMPLIANT

| | | | | |
|-----|--------|-----------------------|---------|----|
| F | 15995 | UPDATE NOTES AND DIMS | 5/1/06 | CT |
| E | 15814 | CHANGES NOTED | 2/23/06 | PH |
| D | 15803 | REVISE AND REDRAWN | 2/20/06 | PH |
| REV | PCR NO | DESCRIPTION | DATE | BY |

THE INFORMATION CONTAINED IN THIS DOCUMENT IS PROPRIETARY TO E-SWITCH AND IS NOT TO BE COPIED OR TRANSFERRED



TITLE R4BBLKBLKGRNEF1

| | | | | |
|-----------|----------------|-------|-------------|-------|
| SCALE 1:1 | DATE 3/29/1999 | DR MM | DWG M040105 | REV F |
|-----------|----------------|-------|-------------|-------|