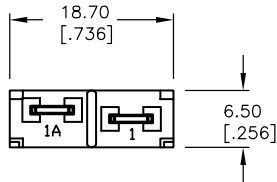
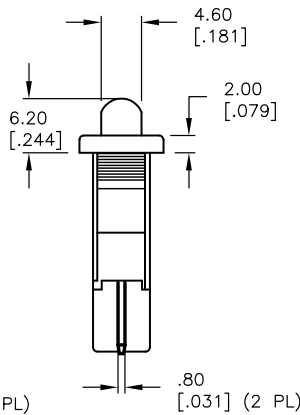
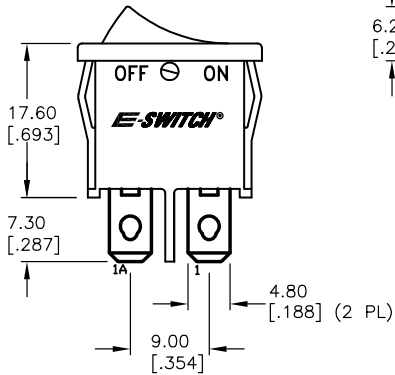
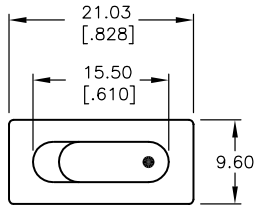
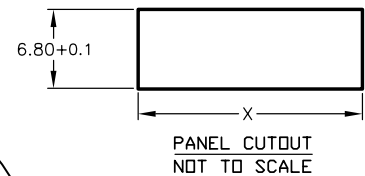


SHEET OF

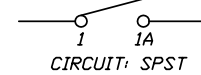


PANEL THICKNESS	X dimension
0.75-1.25 [0.030-.049]	19.2-0.1 [0.756]
1.25-2.0 [0.049-.079]	19.4-0.1 [0.764]
2.0-3.0 [0.079-.118]	19.8-0.1 [0.780]



SWITCH FUNCTION	
POS. 1	POS. 2
<ON>	OFF
1-1a	OPEN

< >=Momentary



NOTES:

1. ALL DIMENSIONS IN MM [INCH]
2. GENERAL TOLERANCE: X.X=±0.4; X.XX=±0.25
3. TERMINAL NUMBERS FOR REF ONLY
4. RATING: 4(1)A @250VAC, 6A @250VAC
10A @125VAC
5. MATERIALS: TERMINALS: COPPER ALLOY W/SILVER PLATING
CONTACTS: COIN SILVER
6. MECHANICAL LIFE: >50,000 CYCLES
7. ELECTRICAL LIFE: >10,000 CYCLES
8. CONTACT RESISTANCE: < 20 milli-OHMS (INITIAL)
9. INSULATION RESISTANCE: > 1000 MEGA-OHMS @ 500VDC
10. DIELECTRIC STRENGTH: >1500VAC 1 MINUTE (INITIAL)
>3000V BETWEEN POLES
11. HOUSING & ACTUATOR COLOR;
HOUSING; BLACK
ACTUATOR; BLACK
12. ▲ DENOTES CRITICAL PARAMETER.

E-SWITCH®

TITLE					R6BBLKBLKAF				
SCALE	DATE	DR	DWG	REV					
1.5:1	4/20/04	AR	M060350	A					

A	13925	RELEASED FOR PRODUCTION	4/20/04	AR
REV.	ECN No.	DESCRIPTION	DATE	CHKD

THE INFORMATION CONTAINED IN THIS DOCUMENT IS PROPRIETARY TO E-SWITCH AND IS NOT TO BE COPIED OR TRANSFERRED