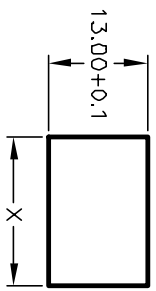
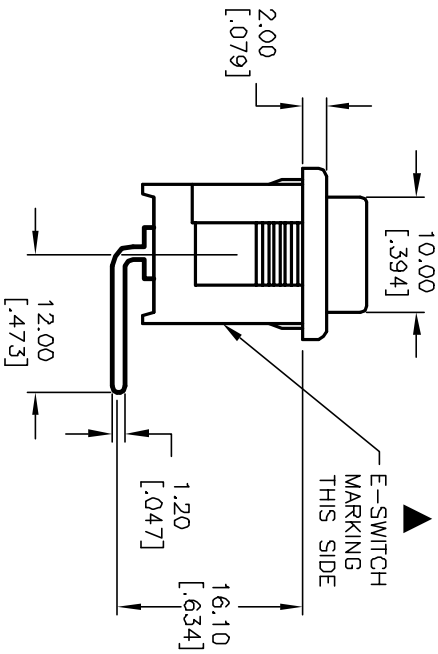
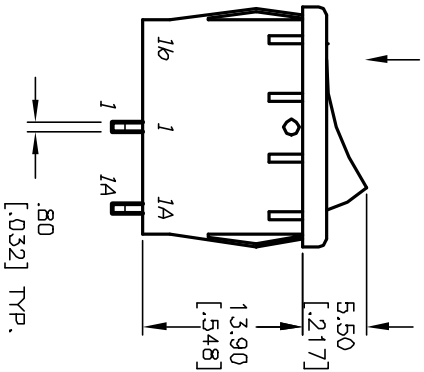


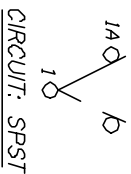
PANEL THICKNESS	X dimension
0.75-1.25 [0.30-0.49]	19.2-0.1 [7.56]
1.25-2.0 [0.49-0.79]	19.4-0.1 [7.64]
2.0-3.0 [0.79-1.18]	19.8-0.1 [7.80]



POS. 1



SWITCH FUNCTION	
POS. 1	POS. 2
DN	OFF
1-1a	OPEN



NOTES:

1. ALL DIMENSIONS IN MM [INCH]
2. GENERAL TOLERANCE: X.X=±0.4 X.XX=±0.25
3. TERMINAL NUMBERS FOR REF ONLY
4. RATING: 15A @ 125VAC OR 6A @ 250VAC
5. MATERIALS: TERMINALS: Silver Plated Copper Alloy  
CONTACTS: Coin Silver, Silver Plated
6. ELECTRICAL LIFE: 10,000 cycles
7. CONTACT RESISTANCE: <20 Mega Ω
8. INSULATION RESISTANCE: >1000 Mega Ω
9. DIELECTRIC STRENGTH: >1500 V 1 minute >3000 V between poles

**E-SWITCH®**

R1966A BLK BLK ER

TITLE

REVISED

REV.	ECN No.	DESCRIPTION	DATE	CHKD
D	11664		9/19/01	CJB

THE INFORMATION CONTAINED IN THIS DOCUMENT IS PROPRIETARY TO E-SWITCH AND IS NOT TO BE COPIED OR TRANSFERRED

SCALE

1.5:1

DATE

6/20/95

DR

MM

DWG

M301202

REV

D