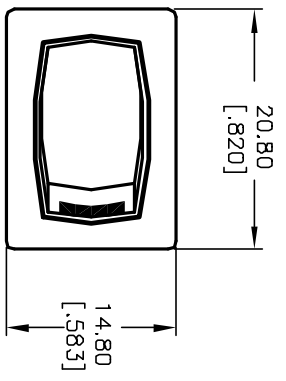
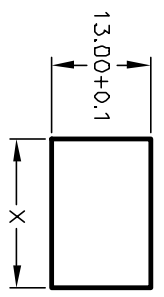
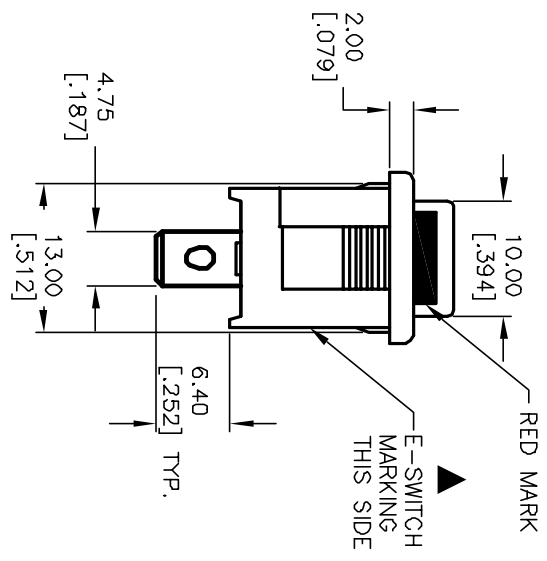
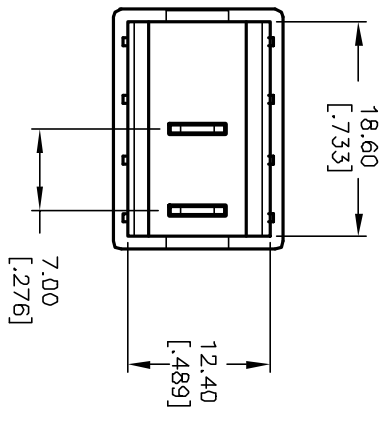
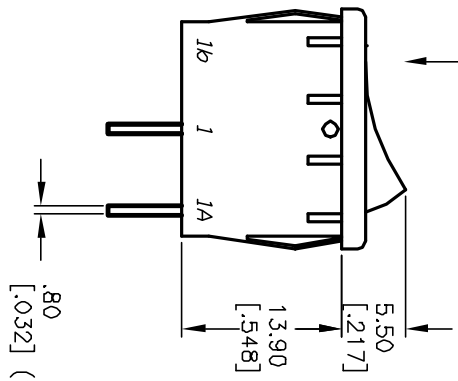


| PANEL THICKNESS       | X dimension     |
|-----------------------|-----------------|
| 0.75-1.25 [0.30-0.49] | 19.2-0.1 [7.56] |
| 1.25-2.0 [0.49-0.79]  | 19.4-0.1 [7.64] |
| 2.0-3.0 [0.79-1.18]   | 19.8-0.1 [7.80] |

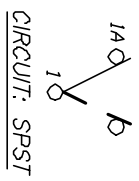


POS. 1



PANEL CUTOUT  
NOT TO SCALE

| SWITCH FUNCTION |        |
|-----------------|--------|
| POS. 1          | POS. 2 |
| DN              | OFF    |
| 1-1a            | OPEN   |



CIRCUIT: SPST

NOTES:

1. ALL DIMENSIONS IN MM [INCH]
2. GENERAL TOLERANCE: X.X=±0.4  
X.XX=±0.25
3. TERMINAL NUMBERS FOR REF ONLY
4. RATING: 15A @ 125VAC OR  
6A @ 250VAC
5. MATERIALS: TERMINALS: Silver Plated Copper Alloy  
CONTACTS: Coin Silver, Silver Plated
6. ELECTRIC LIFE: 10,000 cycles
7. CONTACT RESISTANCE: <20 Mega Ω
8. INSULATION RESISTANCE: >1000 Mega Ω
9. DIELECTRIC STRENGTH: >1500 V 1 minute  
>3000 V between poles

**E-SWITCH®**

R1966A BLK BLK LF

| REV. | ECN No. | DESCRIPTION             | DATE    | CHKD |
|------|---------|-------------------------|---------|------|
| A    | 11664   | RELEASED FOR PRODUCTION | 9/18/01 | CJB  |

| TITLE             | SCALE | DATE    | DR  | DWG     | REV |
|-------------------|-------|---------|-----|---------|-----|
| R1966A BLK BLK LF | 1.5:1 | 9/18/01 | CJB | M300006 | A   |

THE INFORMATION CONTAINED IN THIS DOCUMENT IS PROPRIETARY TO E-SWITCH AND IS NOT TO BE COPIED OR TRANSFERRED