



SERIES R1973 SWITCHES

ROCKER SWITCHES - ILLUMINATED



SPECIFICATIONS

Contact Rating: 9A@125 VAC (UL, CUL, CSA)
6A@250 VAC

Life Expectancy (Mechanical): 30,000 cycles

Life Expectancy (Electrical): 10,000 cycles

Contact Resistance: 20 mΩ max., initial @ 2-4 VDC

Insulation Resistance: >1,000MΩ

Dielectric Strength: >1,500 VAC, terminal to terminal

>3,000 VAC, terminal to case

Operating Temp: -30°C to 55°C

Safety Standard Approval: UL, CUL, VDE

MATERIALS

Body: Nylon 6/6 (UL94 V-2)

Rocker: Polycarbonate (UL94 V-2)

Contact Surface: Coin silver, silver plated

Terminal: Silver plated copper alloy

Illuminated Rockers: Neon lamp or Incandescent bulb

FEATURES & BENEFITS

- ▶ Industry standard panel cut-out size
- ▶ Single & double pole options
- ▶ Fully illuminated actuator option

APPLICATIONS/MARKETS

- ▶ Audio/Visual
- ▶ Consumer Electronics
- ▶ Test/instrumentation

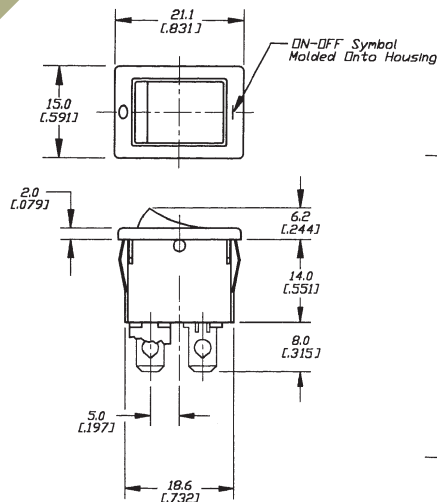
HOW TO ORDER

SERIES	CIRCUIT	HOUSING COLOR	ACTUATOR COLOR	MARKING	TERMINATION	LAMP VOLTAGE
R1973	A = SPST B = DPST	BLK = Black WHT = White GRY = Grey	BLK = Black WHT = White GRY = Grey RED = Red ORG = Orange YIL = Yellow ILL. GIL = Green ILL. RIL = Red ILL. BIL = Blue ILL.	A B C D E F G H I J K L	F = Faston R = Rt. Angle PC Pin L = Left Angle PC Pin	0 = No Lamp 1 = 125V AC ¹ 2 = 250V AC ¹ 3 = 12V DC ² 4 = 24V DC ² 6 = 6V DC ² ¹ Neon Bulb ² Incandescent Bulb

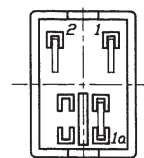
Example Ordering Number
R1973-B-BLK-RED-E-F-2

Specifications subject to change without notice.

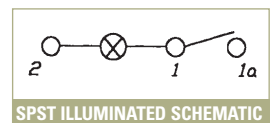
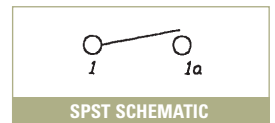
A SPST



Bottom View



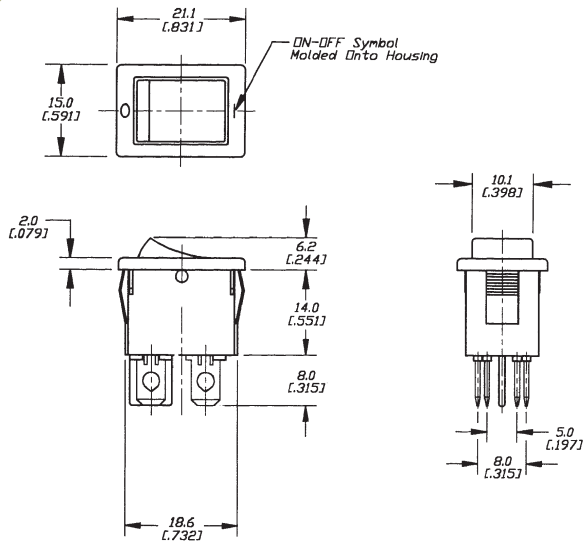
Circuit	POS 1	POS 2
SPST	ON	OFF
Term. Comm.	1-1a	OPEN



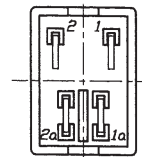
SERIES R1973 SWITCHES

ROCKER SWITCHES - ILLUMINATED

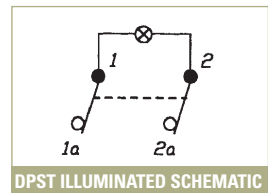
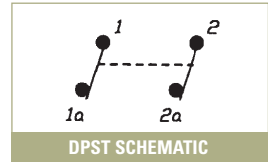
B DPST



Bottom View

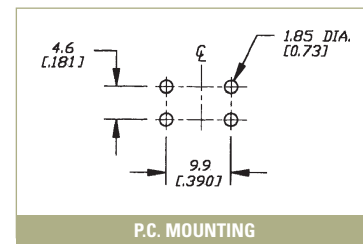


Circuit	POS 1	POS 2
DPST	ON	OFF
Term. Comm.	1-1a, 2-2a	OPEN

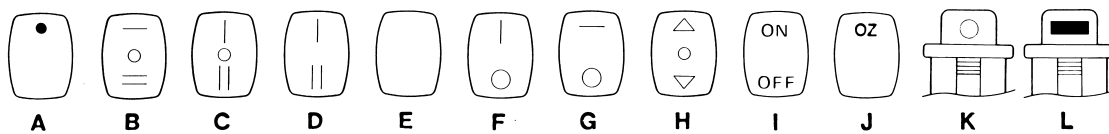


Panel Thickness	X
.75 - 1.25 (.030)-(0.049)	19.2±.1 (.756±.004)
1.25 - 2.00 (.049)-(0.079)	19.3±.1 (.760±.004)
2.00 - 3.00 (.079)-(0.118)	19.5±.1 (.768±.004)

PANEL MOUNTING



MARKING OPTIONS



TERMINATION OPTIONS

