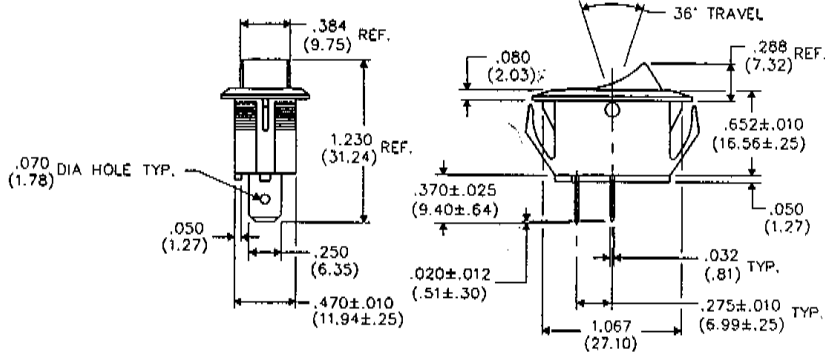
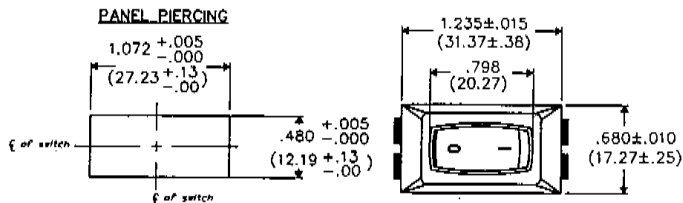


DIMENSIONS IN INCHES (MILLIMETERS)  
DO NOT SCALE DRAWING

Dwg. No.  
GRS-2011-3020

PANEL PIERCING



FORM-84	REVISIONS	0	<table border="1"> <tr> <td colspan="2"><b>CW INDUSTRIES</b></td> <td colspan="2">Title: ASSEMBLY DWG.</td> </tr> <tr> <td colspan="2">Southampton, Pa. 18966</td> <td colspan="2">S.P.S.T. ROCKER</td> </tr> <tr> <td colspan="2">TOLERANCES UNLESS OTHERWISE SPECIFIED</td> <td colspan="2">NON-POLARIZED</td> </tr> <tr> <td>2 Place Decimal ±.010</td> <td>MILTRC</td> <td colspan="2">1.072" x .480" PANEL</td> </tr> <tr> <td>3 Place Decimal ±.005</td> <td>1 Place-Dec. ±.25mm</td> <td colspan="2">Division: SWITCH</td> </tr> <tr> <td>Angles ±1°</td> <td>2 Place-Dec. ±.1mm</td> <td colspan="2">Dwg. No. GRS-2011-3020</td> </tr> <tr> <td colspan="2">Made for: CW IND.</td> <td colspan="2">Drawn by: DGW 3-07-2001</td> </tr> <tr> <td colspan="2">Checked by: G Guid 3-12-01</td> <td colspan="2">Approval: <i>[Signature]</i> 3-12-01</td> </tr> </table>	<b>CW INDUSTRIES</b>		Title: ASSEMBLY DWG.		Southampton, Pa. 18966		S.P.S.T. ROCKER		TOLERANCES UNLESS OTHERWISE SPECIFIED		NON-POLARIZED		2 Place Decimal ±.010	MILTRC	1.072" x .480" PANEL		3 Place Decimal ±.005	1 Place-Dec. ±.25mm	Division: SWITCH		Angles ±1°	2 Place-Dec. ±.1mm	Dwg. No. GRS-2011-3020		Made for: CW IND.		Drawn by: DGW 3-07-2001		Checked by: G Guid 3-12-01		Approval: <i>[Signature]</i> 3-12-01	
		<b>CW INDUSTRIES</b>		Title: ASSEMBLY DWG.																															
		Southampton, Pa. 18966		S.P.S.T. ROCKER																															
		TOLERANCES UNLESS OTHERWISE SPECIFIED		NON-POLARIZED																															
2 Place Decimal ±.010	MILTRC	1.072" x .480" PANEL																																	
3 Place Decimal ±.005	1 Place-Dec. ±.25mm	Division: SWITCH																																	
Angles ±1°	2 Place-Dec. ±.1mm	Dwg. No. GRS-2011-3020																																	
Made for: CW IND.		Drawn by: DGW 3-07-2001																																	
Checked by: G Guid 3-12-01		Approval: <i>[Signature]</i> 3-12-01																																	
1	2	3	4	5	6	7	8	9	10																										
RELEASED		3-07-2001																																	