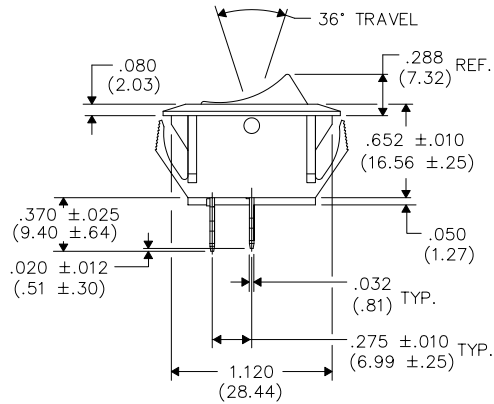
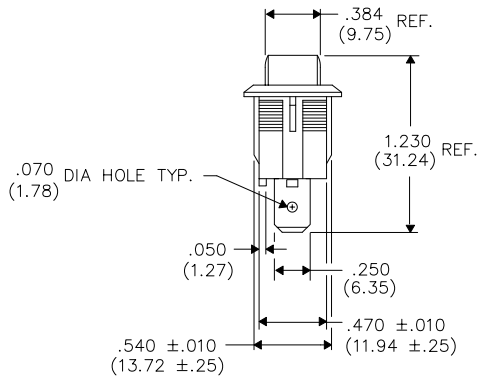
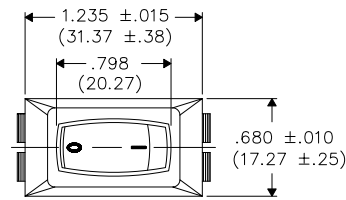
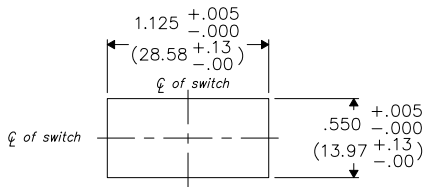


DIMENSIONS IN INCHES (MILLIMETERS)
DO NOT SCALE DRAWING

Dwg. No.
GRS-2011-2080

PANEL PIERCING



FORM-B4

REVISIONS	0
RELEASED.	
DGW 8-02-94	
RBK 8-05-94	

CW INDUSTRIES
Southampton, Pa. 18966

TOLERANCES UNLESS OTHERWISE SPECIFIED

2 Place Decimal \pm .010	METRIC
3 Place Decimal \pm .005	1 Place Dec. \pm .25mm
Angles \pm 1°	2 Place Dec. \pm .13mm

Made for: CW IND.
Drawn by: DGW 8-02-94
Checked by: GG 8-03-94
Approval: RBK 8-04-94

Title: ASSEMBLY DRAWING
S.P.S.T. ROCKER SWITCH
NON-POLARIZED
1.125" X .550" PANEL

Division: SWITCH
Dwg. No. GRS-2011-2080