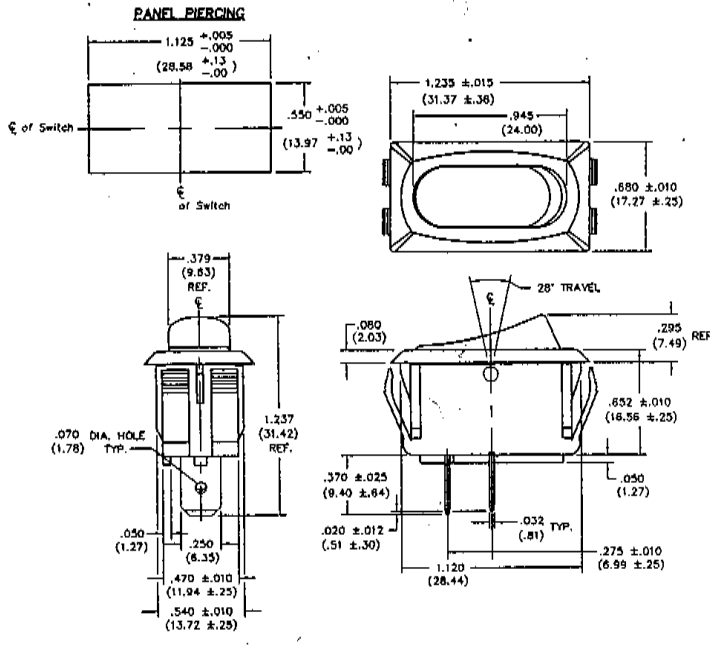


DIMENSIONS IN INCHES (MILLIMETERS)  
DO NOT SCALE DRAWING .....

Dwg. No.  
GRS-2011-2500 THRU 2502



PART NUMBER	COLOR
-2500	BLACK-000
-2501	WHITE-913
-2502	BISQUE-131

SIZE-B4  
REVISIONS  
0  
RELEASED 9-27-2001  
DWG 3 R/L

**CW INDUSTRIES**  
Southampton, Pa. 18966

TOLERANCES UNLESS OTHERWISE SPECIFIED

2 Place Decimal $\pm .010$	METRIC
3 Place Decimal $\pm .005$	1 Place Dec. $\pm .25mm$
Angles $\pm 1^\circ$	2 Place Dec. $\pm .13mm$

Made for: CW IND.  
 Drawn by: DGW 9-27-2001  
 Checked by: G. Guld 9-28-01  
 Approved: [Signature]

Title: **ROCKER SWITCH SP/ST ASSEMBLY**  
 EURO STYLE, POLARIZED  
 1.125" x .550" PANEL

Division: DIVISION  
 Dwg. No. GRS-2011-2500 THRU 2502

**MASTER**