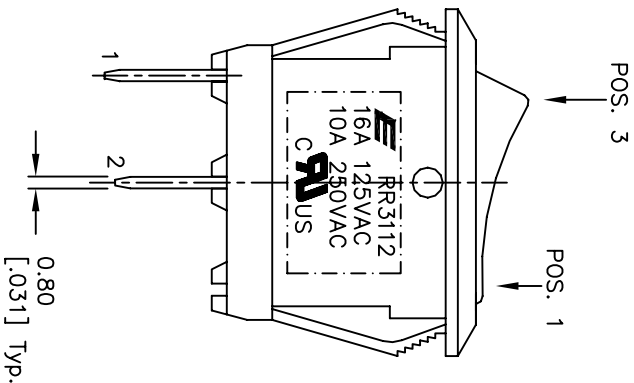
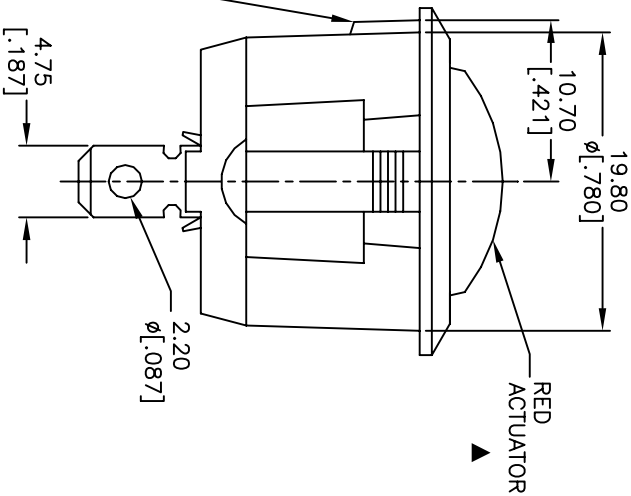
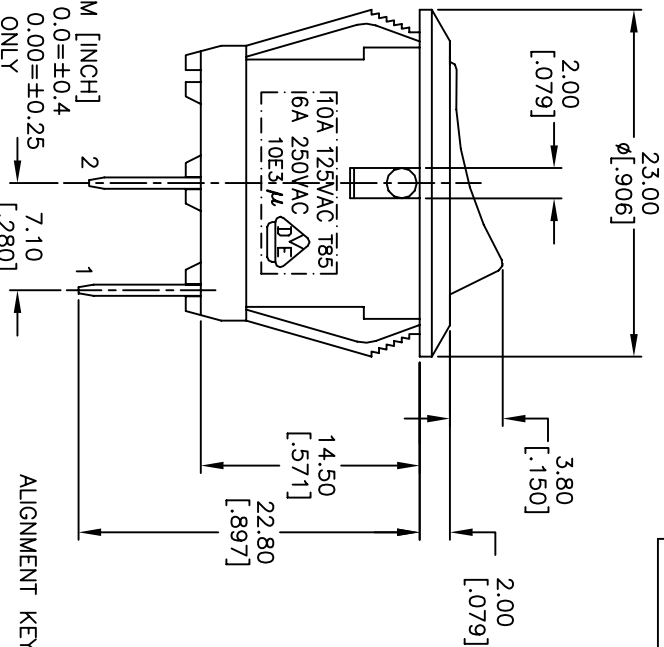
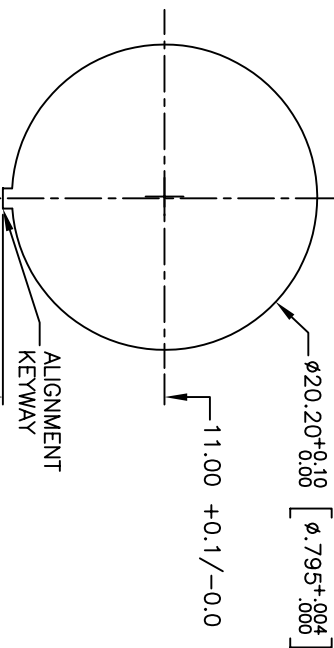


CIRCUIT: 2P: SPST  
CONTACT CONFIGURATION  
ON-OFF

SWITCH FUNCTION	POS. 1	POS. 3
ON		OFF
1-2		OPEN



NOTES:

1. ALL DIMENSIONS IN MM [INCH]
2. GENERAL TOLERANCE: 0.0=±0.4  
0.00=±0.25
3. TERM. NOS. FOR REF. ONLY
4. RATING: 16A, 125VAC, 10A, 250VAC UL&CUL APPROVED  
10A 125VAC, 6A 250V AC VDE APPROVED
5. CONTACT RESISTANCE: 50m ohm max.
6. INSULATION RESISTANCE: DC 500V 100M ohm min.
7. DIELECTRIC STRENGTHS: AC 1500V 1 minute
8. OPERATING TEMP.: -20°C to 85°C
9. ▲ DENOTES CRITICAL PARAMETER.
10. 2002/95/EC (ROHS) COMPLIANT
11. PACKAGE: BAG/1,000 PIECES PER

REV.	ECN No.	DESCRIPTION	DATE	CHKD
A	16968	RELEASED FOR PRODUCTION	2/7/07	TN

THE INFORMATION CONTAINED IN THIS DOCUMENT IS PROPRIETARY TO E-SWITCH AND IS NOT TO BE COPIED OR TRANSMITTED

TITLE	SCALE	DATE	DR	DWG	REV
RR3112ABL KREDNEFD	2:1	2/7/07	TN	F130427	A

